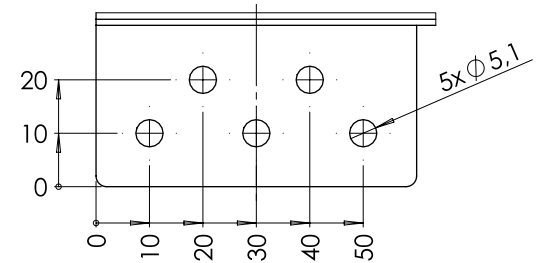


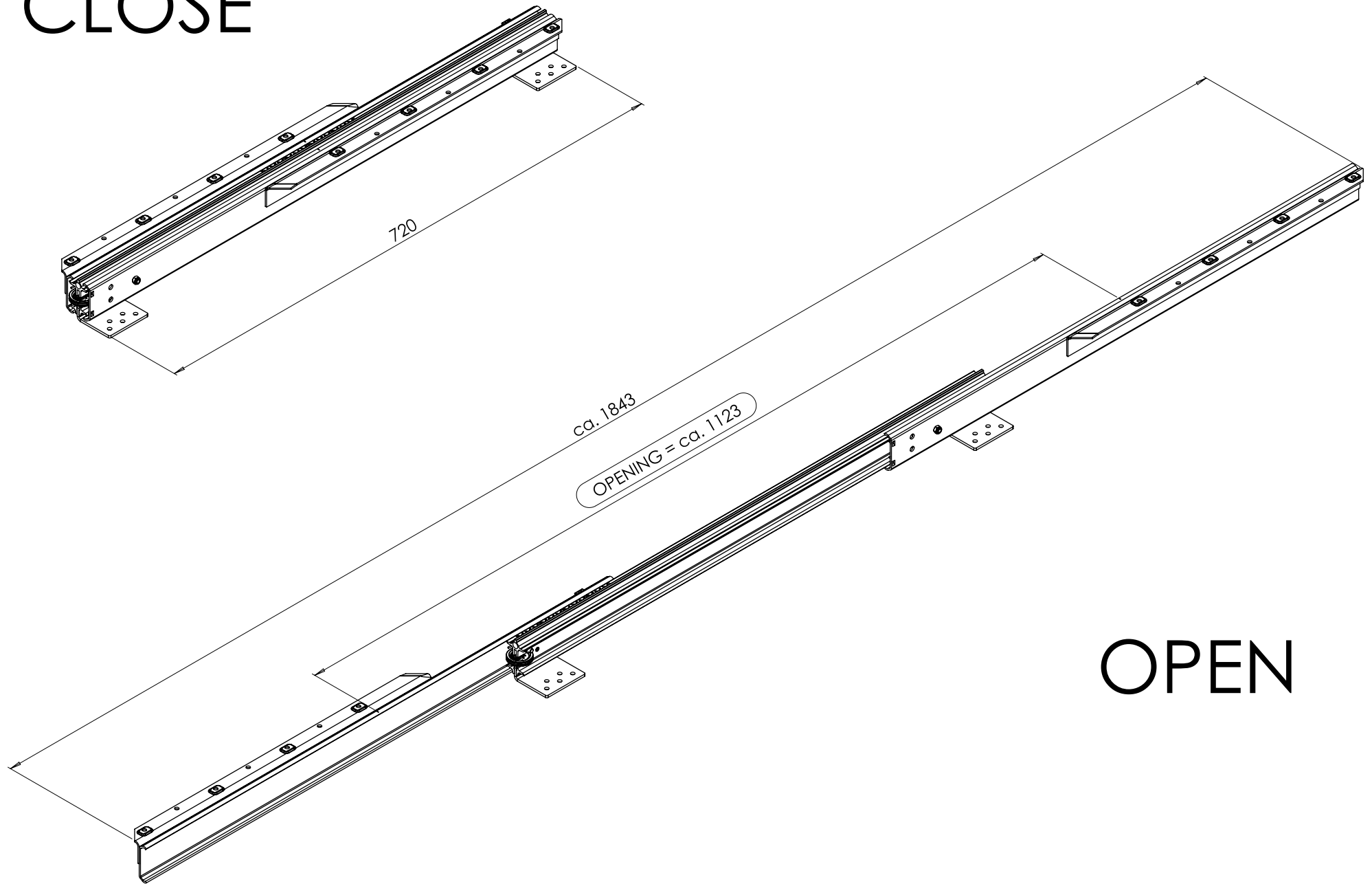
DETAIL A 1 : 1

DETAIL B 1 : 1



opening : ca. **1123** mm

# CLOSE



# OPEN