

BOXER
2-4
3-6



99730-10

GEZE

1

2

20,7

3

4 mm

2x
M8x14

4

3 mm

1-2 Nm

5

5 mm

7-8,5 Nm

7-8,5 Nm

6

45°

45°

7

4x
5x20

4x
M5x14

8

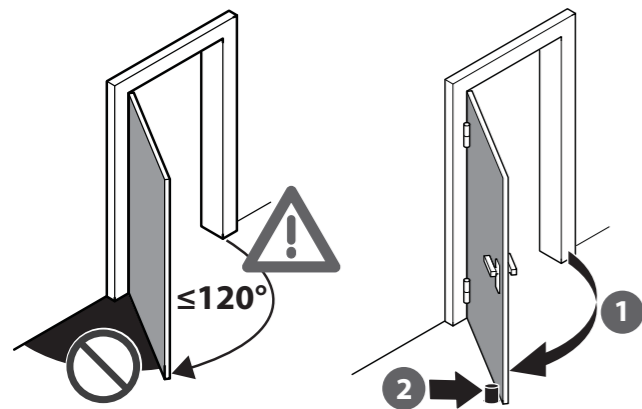
2x
4,5x30

2x
M5x14

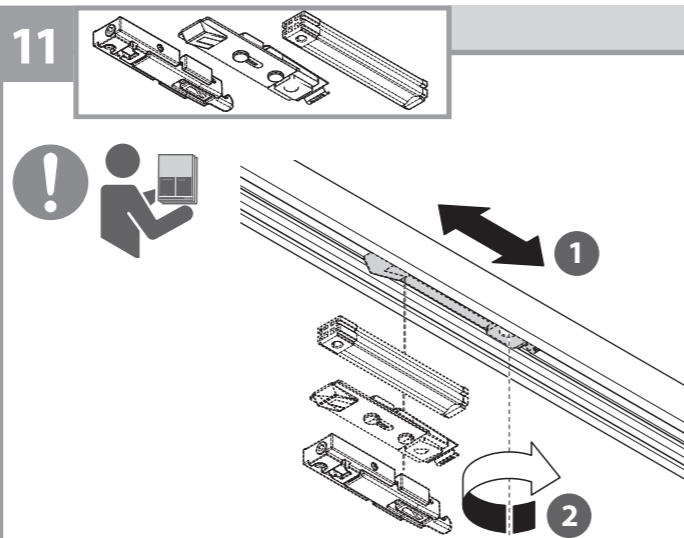
9

7-8,5 Nm

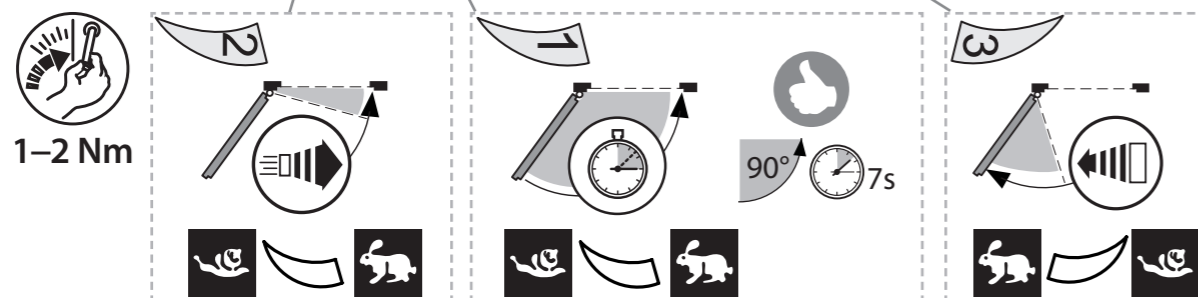
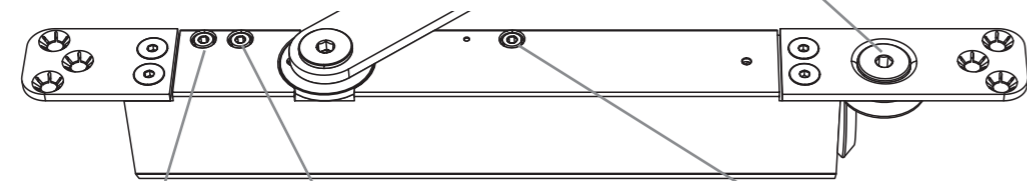
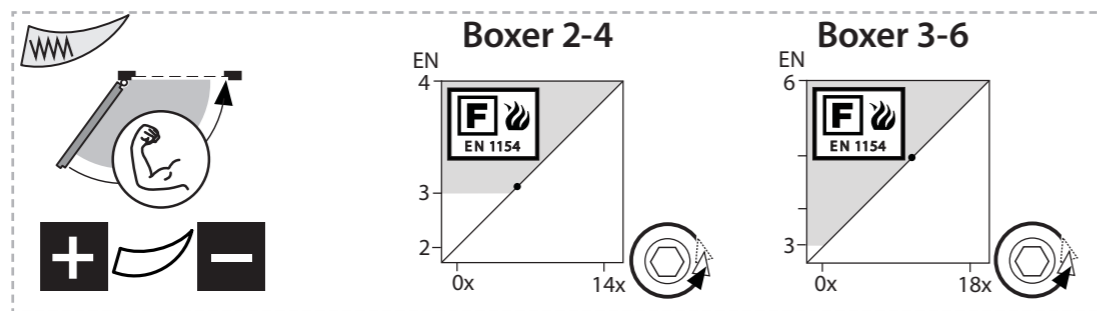
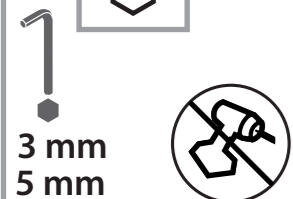
10



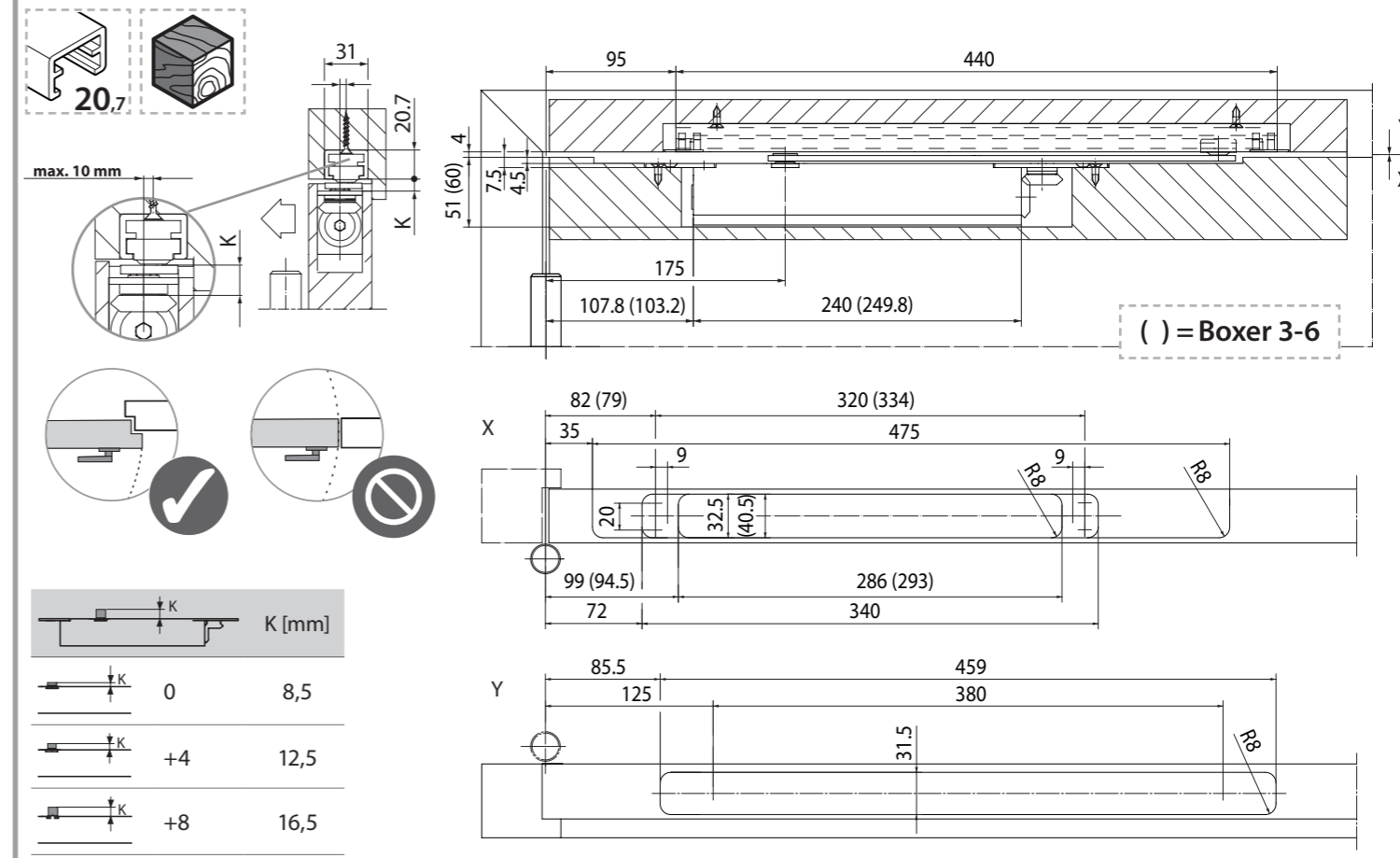
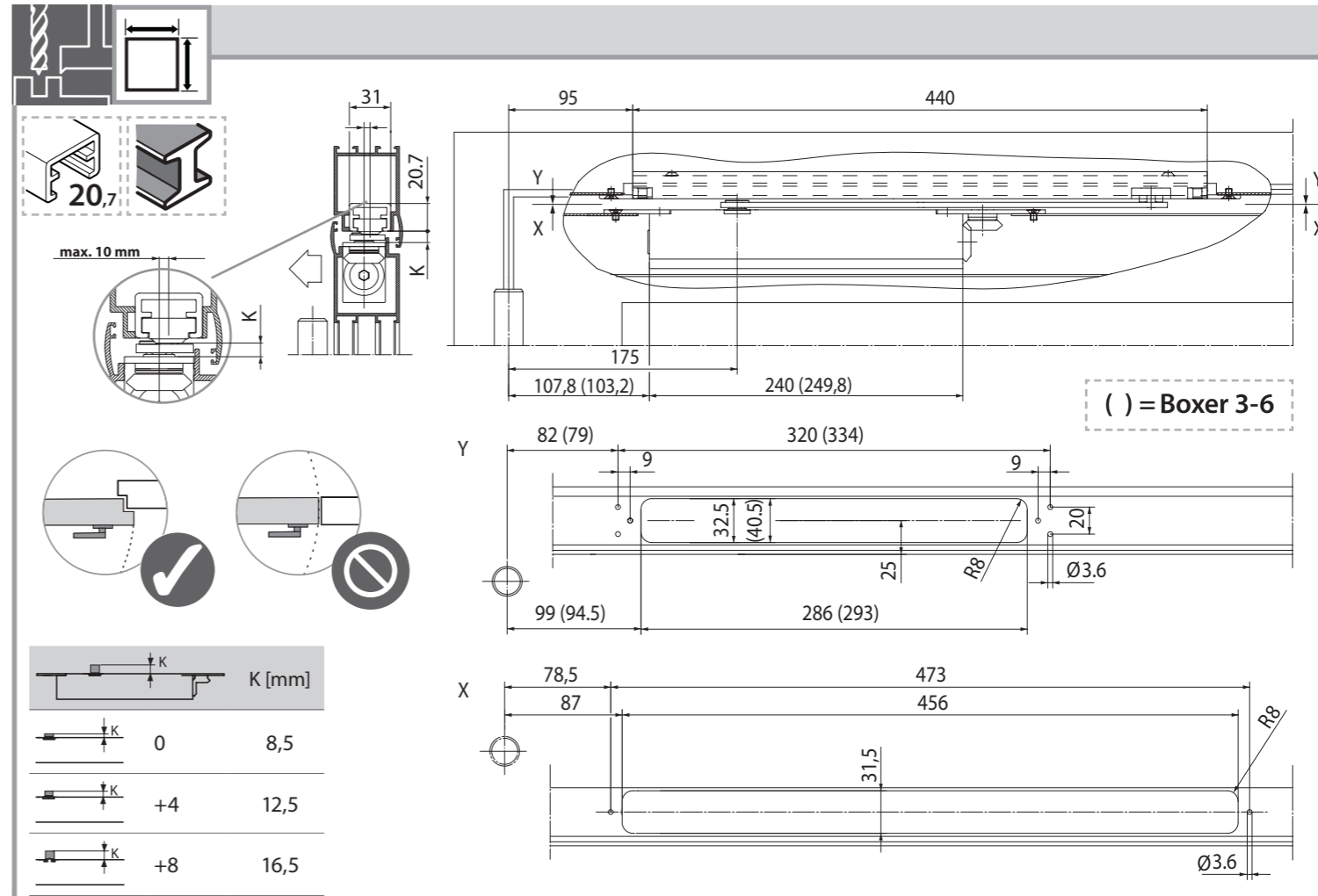
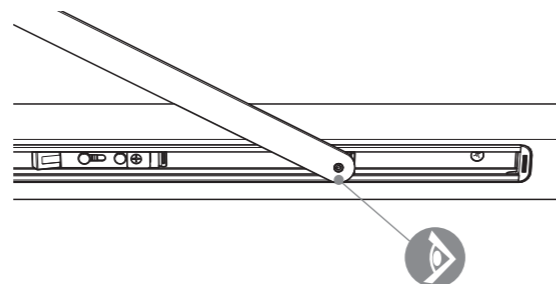
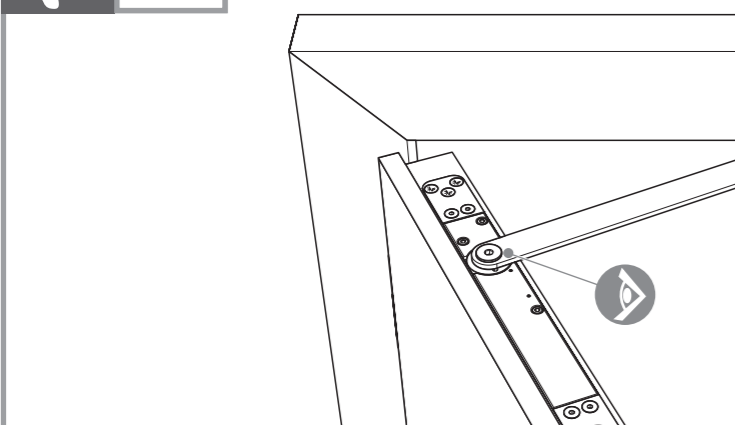
11



12



12



GEZE GmbH
Reinhold-Vöster-Strasse 21-29
71229 Leonberg
Germany

Tel.: 0049 7152 203 0
Fax: 0049 7152 203 310
www.geze.com

