

COMPACT SYSTEM LIFT UP

COMPACT is a gas and oil stay to open flap doors. It has been conceived to be installed by using standard automatic drilling processes.

It is available in three different lengths and several newton strengths to suit doors of any size.

It can be fixed directly on solid doors or wider aluminium frame section doors. For small aluminium sections a range of special adaptors is available.

COMPACT is available in:

- Automatic version: once you open the door, it continues to open gently and completely by itself.
- Friction version: once you open the door, the stay holds the door in any required position.

COMPACT has a quick and easy installing: after the piston is slotted onto the door bracket, the piston can be easily clicked against the side bracket.

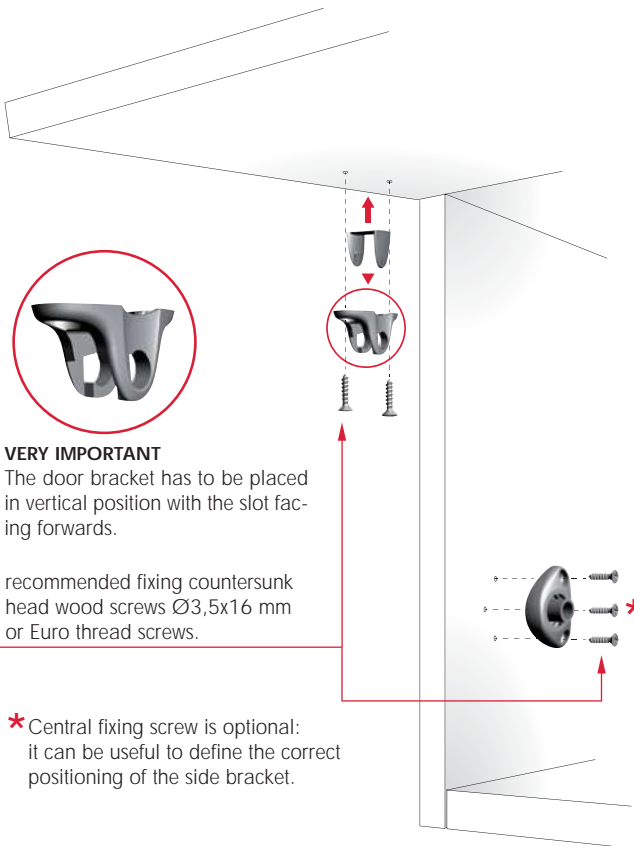
All the parts (stay excluded) are in zinc alloy nickel plated and engineering plastic.



PATENTED
Certificates available
on request.



INSTALLATION

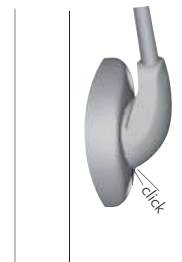
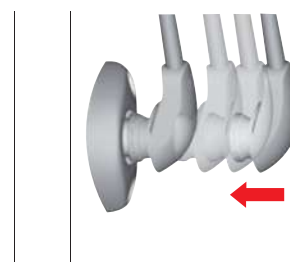
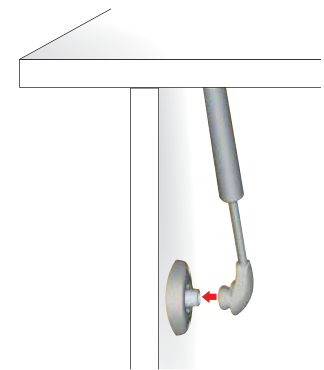
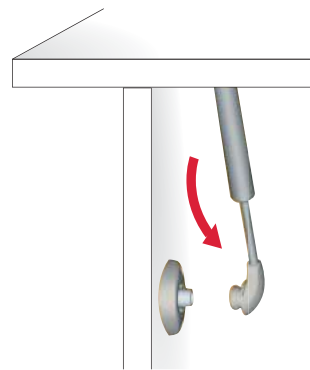
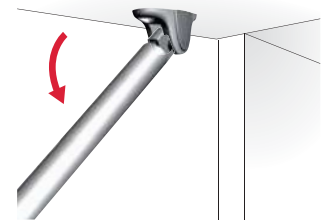
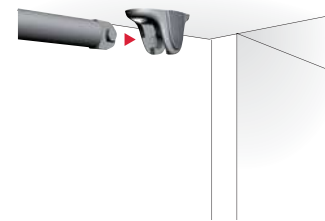


VERY IMPORTANT

The door bracket has to be placed in vertical position with the slot facing forwards.

recommended fixing countersunk head wood screws $\varnothing 3,5 \times 16$ mm or Euro thread screws.

* Central fixing screw is optional: it can be useful to define the correct positioning of the side bracket.



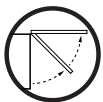


LIFT UP



ZAnk EP ST

= 100 pcs.



COMPACT FRICTION VERSION

Further newton strengths available on request.

L		
164	42301010UZ	45
	42302010UZ	60

L		
244	42311010UZ	45
	42312010UZ	60
	42313010UZ	90
	42314010UZ	120

L		
355	42330010UZ	45
	42331010UZ	60
	42332010UZ	90
	42333010UZ	120



COMPACT AUTOMATIC VERSION

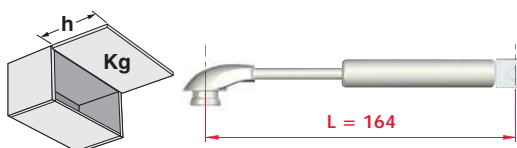
Further newton strengths available on request.

L		
164	42401010UZ	50
	42402010UZ	80
	42403010UZ	120

L		
244	42410010UZ	50
	42412010UZ	80
	42413010UZ	100
	42414010UZ	120
	42415010UZ	140

L		
355	42430010UZ	50
	42431010UZ	80
	42432010UZ	100
	42433010UZ	120

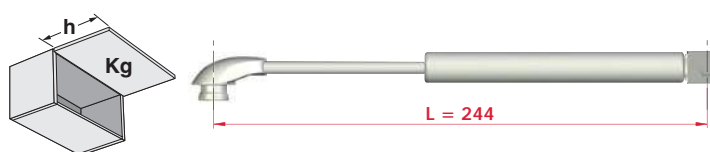
Number of stays chart - L 164 mm



Rev. 02

h	Compact version	Door weight (Kg)										Compact version
		1	2	3	4	5	6	7	8	9	10	
230 - 274	Automatic	1x80N	2x80N	2x120N	3x120N	4x120N						Automatic
	Friction	1x45N	2x45N	2x60N	3x60N						Friction	
275 - 325	Automatic	1x80N	2x80N	2x120N	3x120N	4x120N						Automatic
	Friction	1x60N	2x45N	2x60N	3x60N	4x60N						Friction

Number of stays chart - L 244 mm



Rev. 02

h	Compact version	Door weight (Kg)													Compact version
		1	2	3	4	5	6	7	8	9	10	11	12	13	
300 - 324	Automatic	1x80N	2x50N	2x80N	2x100N	2x120N	2x140N	2x160N*						Automatic	
	Friction	1x45N	1x60N	2x45N	2x60N	2x90N						Friction			
325 - 374	Automatic	1x80N	2x50N	2x80N	2x100N	2x120N	2x140N	2x160N*	2x180N*				Automatic		
	Friction	1x45N	1x60N	2x45N	2x60N	2x90N	2x120N						Friction		
375 - 424	Automatic	1x80N	2x50N	2x80N	2x100N	2x120N	2x140N	2x160N*	2x180N*	2x240N*				Automatic	
	Friction	1x45N	1x60N	2x45N	2x60N	2x90N	2x120N						Friction		
425 - 474	Automatic	2x50N	2x80N	2x100N	2x120N	2x140N	2x160N*	2x180N*	3x160N*				Automatic		
	Friction	1x60N	2x45N	2x60N	2x90N	2x120N	3x90N						Friction		
475 - 524	Automatic	2x80N	2x100N	2x120N	2x140N	2x160N*	2x180N*	3x160N*				Automatic			
	Friction	2x45N	2x60N	2x90N	2x120N	3x90N	3x120N						Friction		

* Strengths available on request.

Number of stays chart - L 355 mm



Rev. 02

h	Compact version	Door weight (Kg)													Compact version
		1	2	3	4	5	6	7	8	9	10	11	12	13	
400 - 424	Automatic	1x80N	2x50N	2x80N	2x100N	2x120N	2x160N						Automatic		
	Friction	2x45N	2x60N										Friction		
425 - 474	Automatic	1x80N	2x50N	2x80N	2x100N	2x120N	2x160N						Automatic		
	Friction	2x45N	2x60N	2x90N								Friction			
475 - 524	Automatic	1x80N	2x50N	2x80N	2x100N	2x120N	2x160N	2x180N	2x200N				Automatic		
	Friction	2x45N	2x60N	2x90N								Friction			
525 - 574	Automatic	1x80N	2x50N	2x80N	2x100N	2x100N	2x160N	2x180N	2x200N				Automatic		
	Friction	2x45N	2x60N	2x90N								Friction			
575 - 624	Automatic	2x50N	2x80N	2x100N	2x120N	2x160N	2x180N	2x200N				Automatic			
	Friction	2x45N	2x60N	2x90N								Friction			
625 - 700	Automatic	2x50N	2x80N	2x100N	2x120N	2x160N	2x180N	2x200N				Automatic			
	Friction	2x45N	2x60N	2x90N	2x120N						Friction				

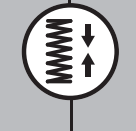
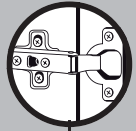
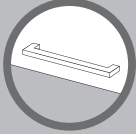
These are experimental results to be checked by the customer. Our Technical Department is at your disposal to test further cases out of this charts.



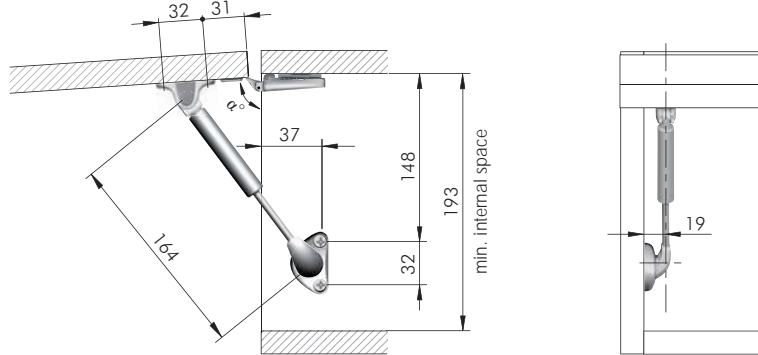
COMPACT CONFIGURATOR:



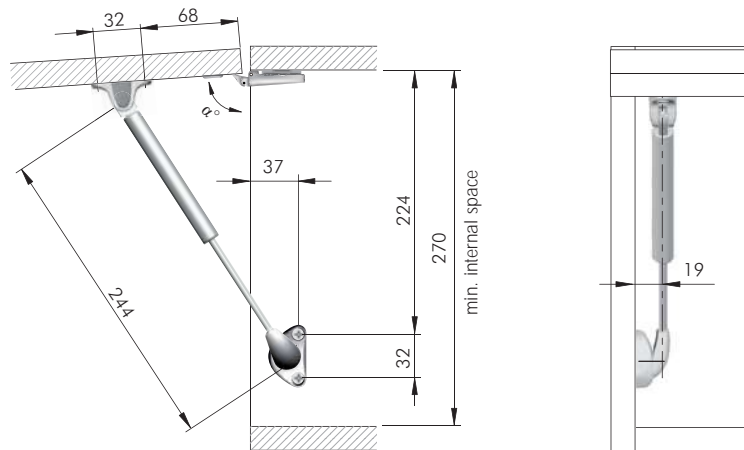
LIFT UP DRILLING PLANS WITH STANDARD HINGES OPENING WITH HANDLE



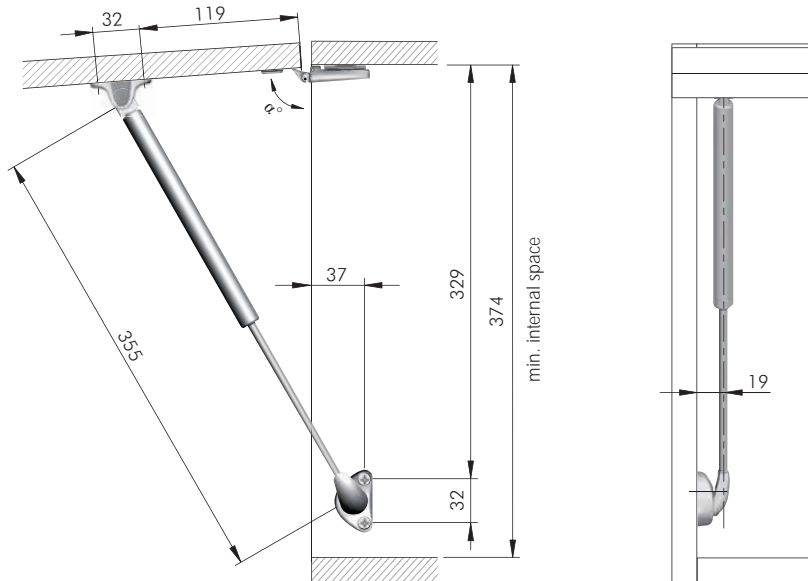
L 164 mm



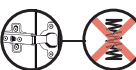
L 244 mm



L 355 mm



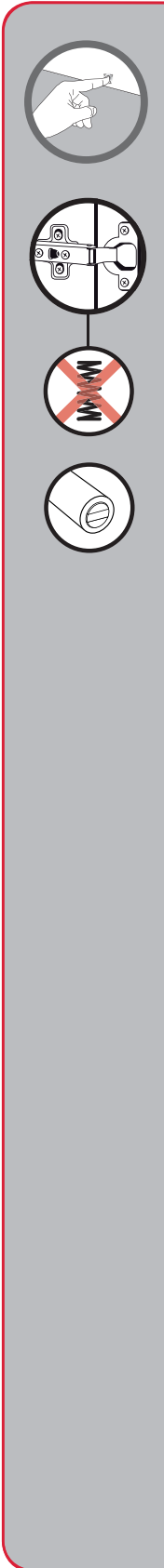
The dimensions of the above drilling plans refer to carcasses which use **standard sprung or unsprung hinges** and mounting plates 0 mm. Please note that the α° opening angle shown data is purely indicative. It varies with respect to the hinge brand and adjustment carried out.



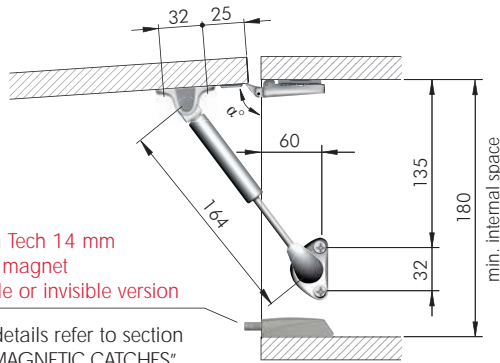
Please note that in case of use of **unsprung hinges**, **magnet K Lock** is required. For details refer to section "PUSH CATCHES & MAGNETIC CATCHES".

LIFT UP DRILLING PLANS WITH STANDARD HINGES PUSH TO OPEN

COMPACT CONFIGURATOR:



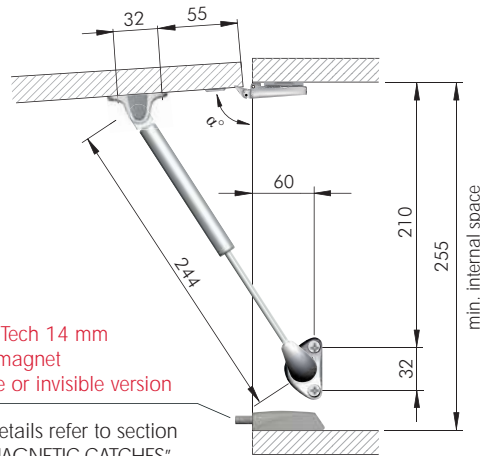
L 164 mm



K Push Tech 14 mm
- With magnet
- Visible or invisible version

For details refer to section "PUSH CATCHES & MAGNETIC CATCHES".

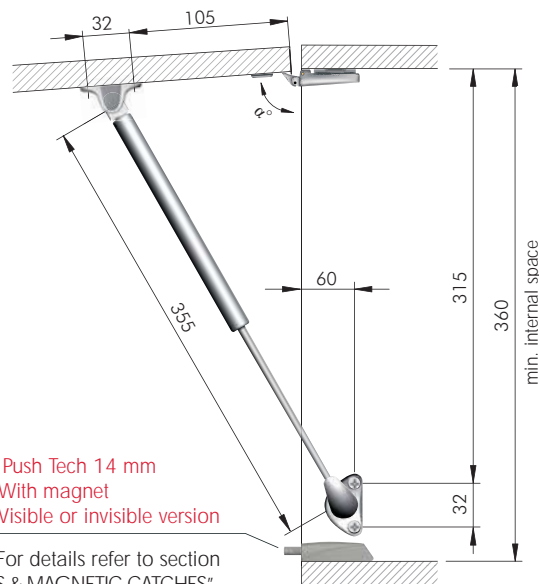
L 244 mm



K Push Tech 14 mm
- With magnet
- Visible or invisible version

For details refer to section "PUSH CATCHES & MAGNETIC CATCHES".

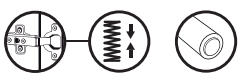
L 355 mm



K Push Tech 14 mm
- With magnet
- Visible or invisible version

For details refer to section "PUSH CATCHES & MAGNETIC CATCHES".

The dimensions of the above drilling plans refer to carcasses which use **standard unsprung hinges** and mounting plates 0 mm. Please note that the α° opening angle shown data is purely indicative. It varies with respect to the hinge brand and adjustment carried out.




Please note that utilization with **standard sprung hinges** and **K Push Tech with buffer** is also possible. In such case, after the door is initially released by K Push Tech, a manual opening approx. 7cm is required (in order to win the spring resistance). Consequently, the door will automatically open to the fullest. For details refer to section "PUSH CATCHES & MAGNETIC CATCHES".



COMPACT SYSTEM DROP DOWN

COMPACT is a gas and oil stay to open drop down doors. It has been conceived to be installed by using standard automatic drilling processes. It is available in three different lengths and with a universal "Zero" N strength, to suit any door dimension and weight. It boasts smooth and elegant movement to gently open the doors downwards.

COMPACT grants a quick and easy installation to be carried out manually, with no need to tension the strength. Directly installed on solid or wider aluminium frame doors and wide range of special adapters to suit small aluminium door profiles. All the parts (stay excluded) are in zinc alloy nickel plated and plastic.

PATENTED 
Certificates available on request.

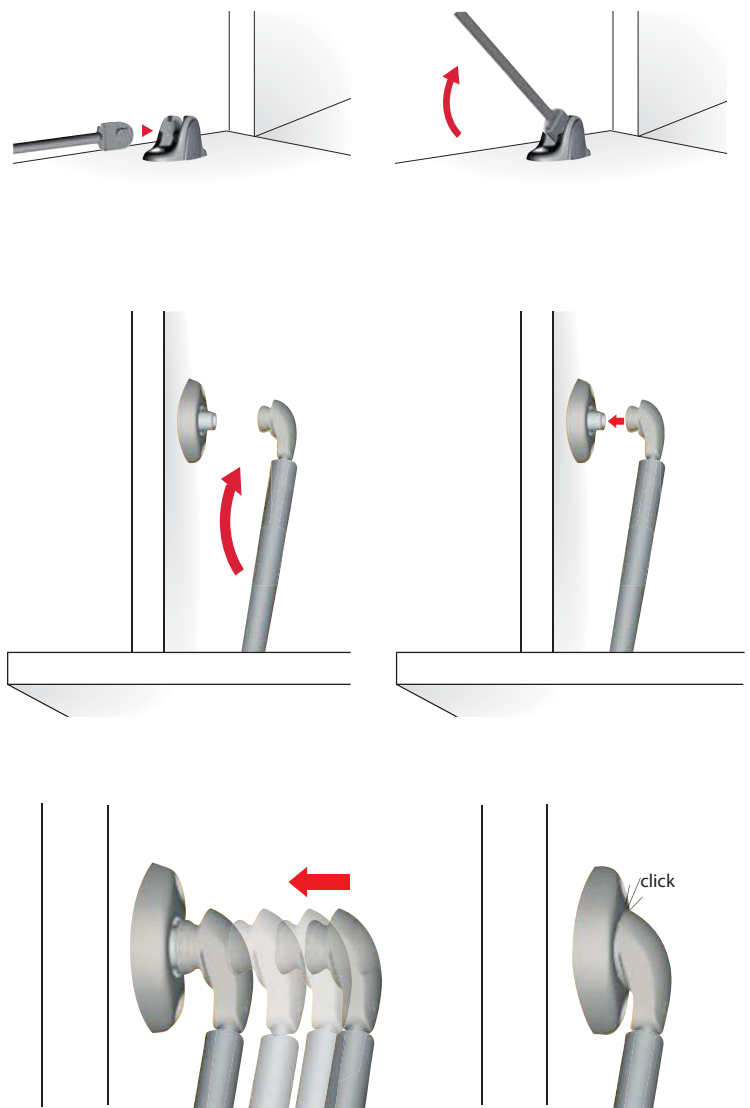
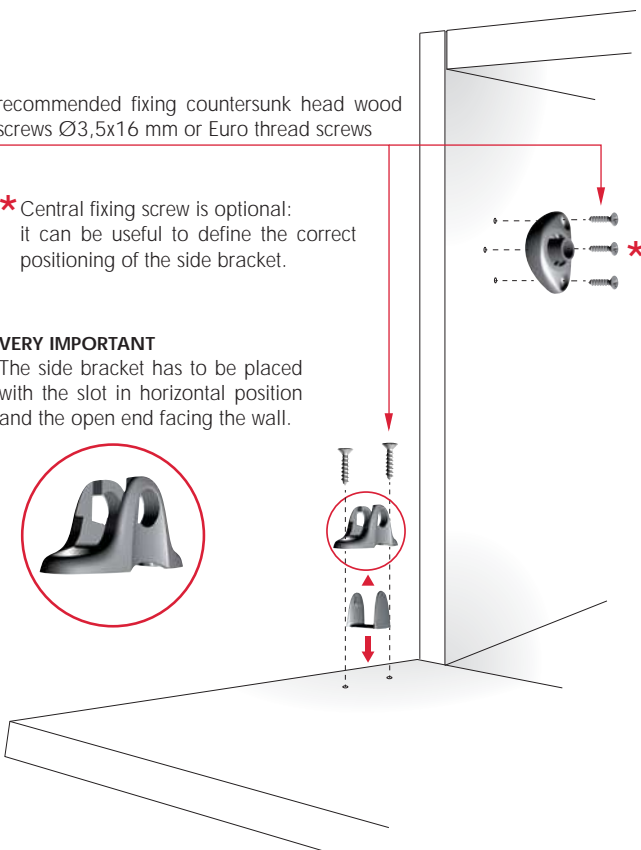
INSTALLATION

recommended fixing countersunk head wood screws $\varnothing 3,5 \times 16$ mm or Euro thread screws

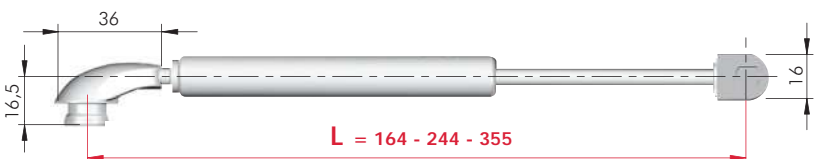
* Central fixing screw is optional: it can be useful to define the correct positioning of the side bracket.

VERY IMPORTANT

The side bracket has to be placed with the slot in horizontal position and the open end facing the wall.



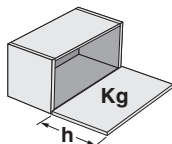
DROP DOWN



ZAnk EP ST = 100 pcs.

L		
164	42501010UZ	
244	42510010UZ	
355	42530010UZ	

Number of stays chart - L 164 mm



Rev. 02

h	Door weight (Kg)					
	1	2	3	4	5	6
200 - 284	2 x Compact		3 x Compact		4 x Compact	

Number of stays chart - L 244 mm

Rev. 02

h	Door weight (Kg)												
	1	2	3	4	5	6	7	8	9	10	11	12	13
280 - 324	2 x Compact						3 x Compact					4 x Compact	
325 - 424	2 x Compact						3 x Compact					4 x Compact	
425 - 500	2 x Compact						3 x Compact					4 x Compact	

Number of stays chart - L 355 mm

Rev. 02

h	Door weight (Kg)												
	1	2	3	4	5	6	7	8	9	10	11	12	13
380 - 500	2 x Compact										3 x Compact		
501 - 600	2 x Compact									3 x Compact			

These are experimental results to be checked by the customer. In accordance with the actual European regulation, we suggest to use at least two stays for each door. Our technical department is at your disposal to test further cases out of this chart.



COMPACT CONFIGURATOR:

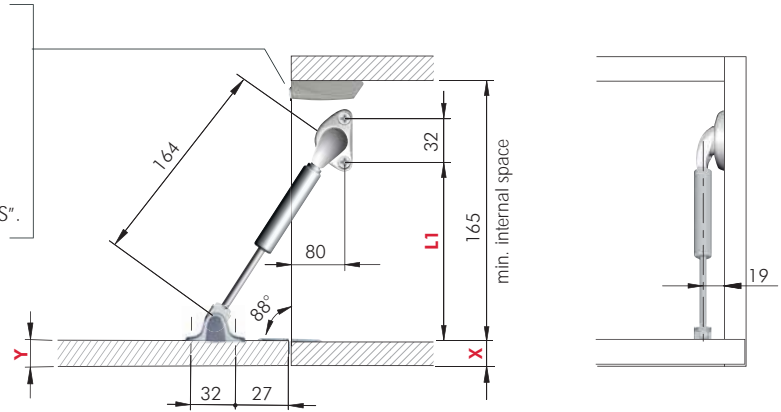


DROP DOWN DRILLING PLANS WITH KIMANA HINGE

L 164 mm

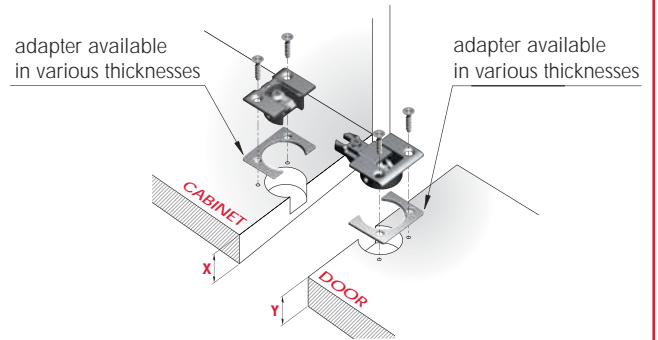
- Magnet K Lock visible or invisible
- K Push Tech 20 mm
 - With magnet
 - Visible or invisible

For details refer to section "PUSH CATCHES & MAGNETIC CATCHES".



Cabinet (X)		Door (Y)		L1
16 mm	4 mm	16 mm	2 mm	117
16 mm	4 mm	19 mm	-	119
18 mm	2 mm	18 mm	-	117
19 mm	-	16 mm	2 mm	113
19 mm	-	19 mm	-	115
20 mm	-	20 mm	-	115

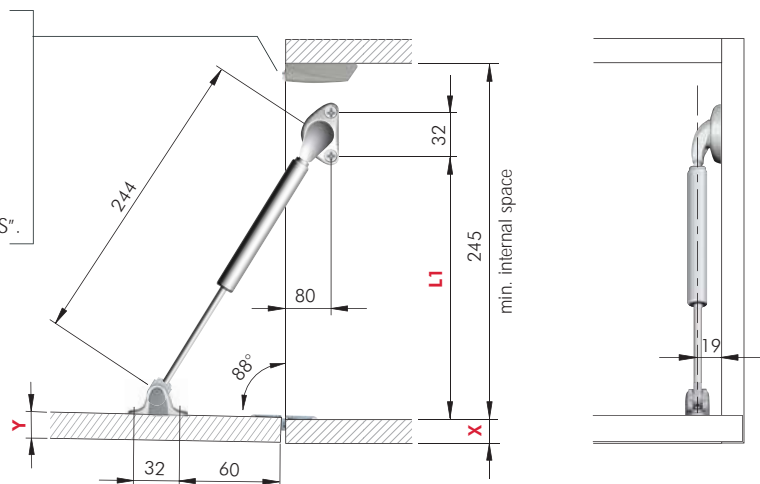
For Kimana and adapter details refer to section "HINGES".



L 244 mm

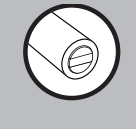
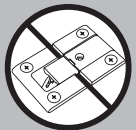
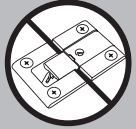
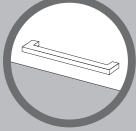
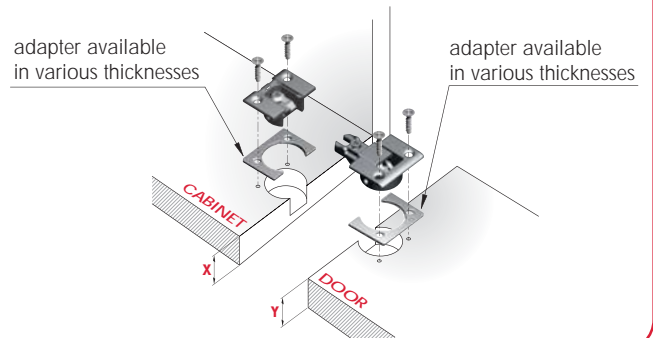
- Magnet K Lock visible or invisible
- K Push Tech 20 mm
 - With magnet
 - Visible or invisible

For details refer to section "PUSH CATCHES & MAGNETIC CATCHES".



Cabinet (X)		Door (Y)		L1
16 mm	4 mm	16 mm	2 mm	197
16 mm	4 mm	19 mm	-	199
18 mm	2 mm	18 mm	-	197
19 mm	-	16 mm	2 mm	193
19 mm	-	19 mm	-	195
20 mm	-	20 mm	-	195

For Kimana and adapter details refer to section "HINGES".



L 355 mm

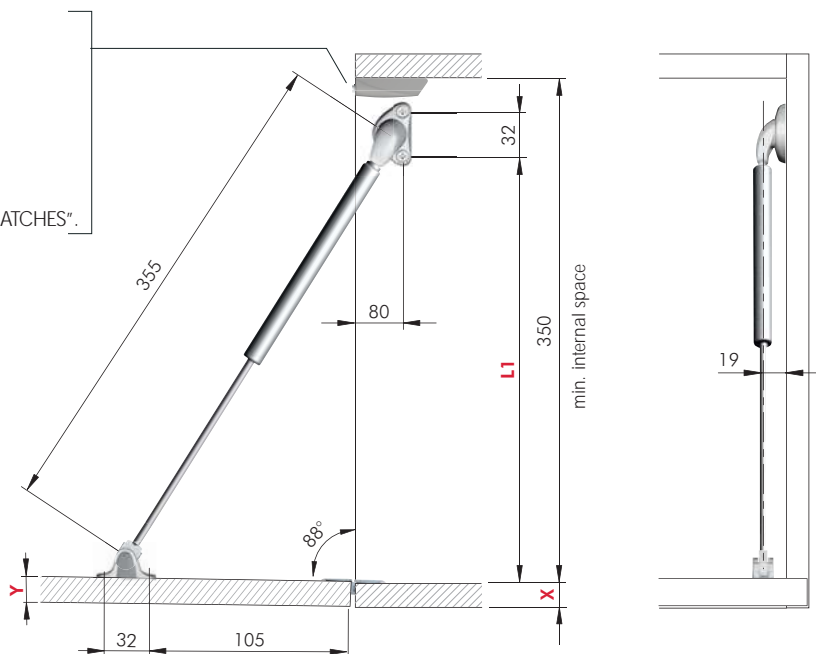



Magnet K Lock
visible or invisible



K Push Tech 20 mm
- With magnet
- Visible or invisible

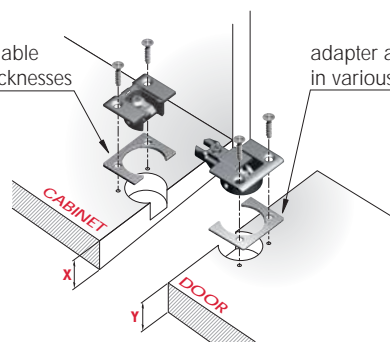
For details refer to section "PUSH CATCHES & MAGNETIC CATCHES".



Cabinet (X)		Door (Y)		L1
16 mm	4 mm	16 mm	2 mm	302
16 mm	4 mm	19 mm	-	304
18 mm	2 mm	18 mm	-	302
19 mm	-	16 mm	2 mm	298
19 mm	-	19 mm	-	300
20 mm	-	20 mm	-	300

adapter available in various thicknesses

adapter available in various thicknesses

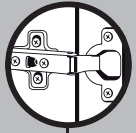


For Kimana and adapter details refer to section "HINGES".

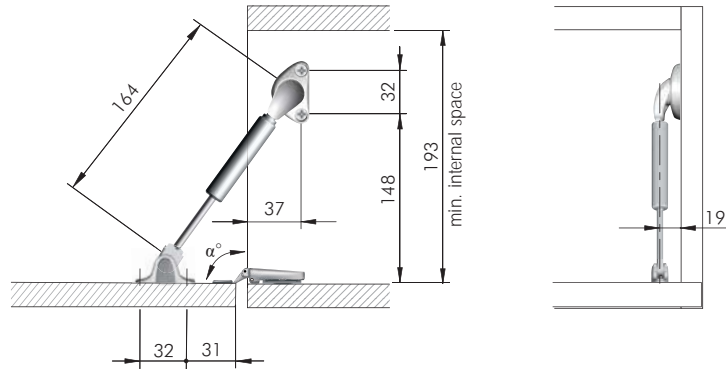


DROP DOWN DRILLING PLANS WITH STANDARD HINGES OPENING WITH HANDLE

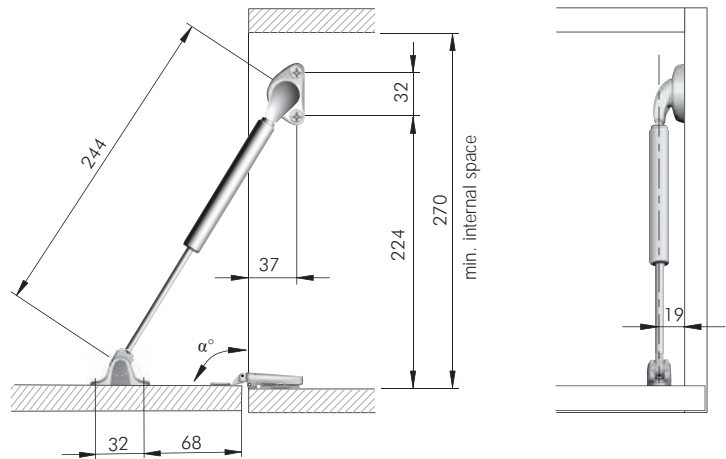
COMPACT CONFIGURATOR:



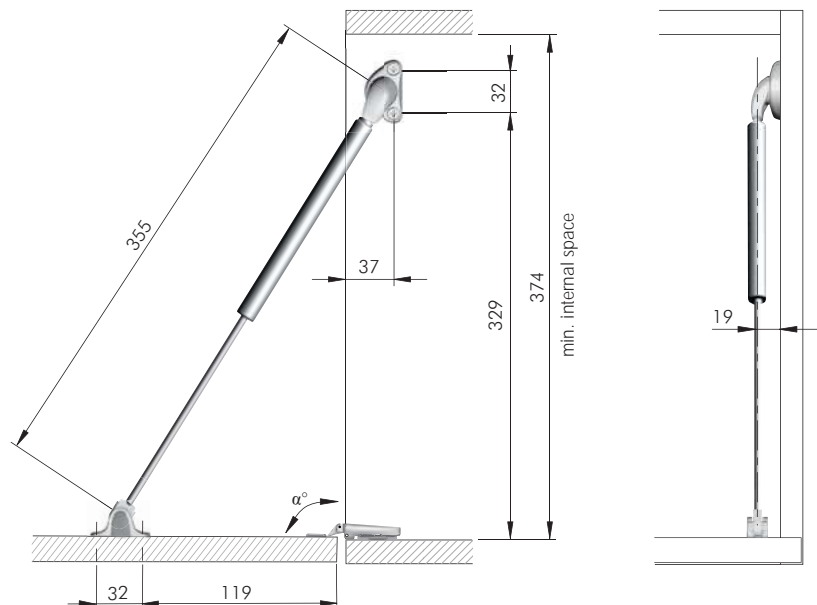
L 164 mm



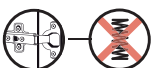
L 244 mm



L 355 mm



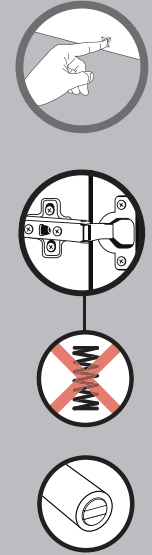
The dimensions of the drilling plans refer to carcasses which use *standard sprung hinges* and mounting plates 0 mm. Please note that the α° opening angle shown data is purely indicative. It varies with respect to the hinge brand and adjustment carried out.



Please note that in case of use of *unsprung hinges*, **magnet K Lock** is required. For details refer to section "PUSH CATCHES & MAGNETIC CATCHES".

DROP DOWN DRILLING PLANS WITH STANDARD HINGES PUSH TO OPEN

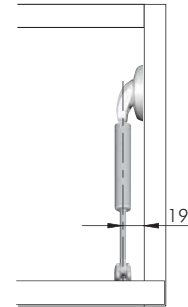
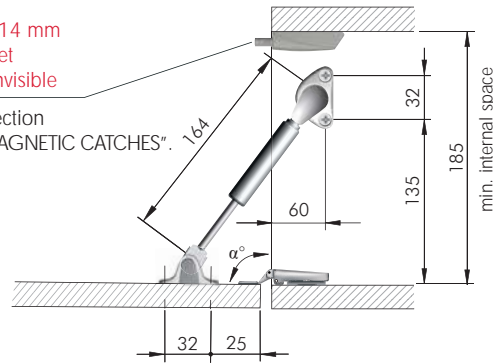
COMPACT CONFIGURATOR:



L 164 mm

K Push Tech 14 mm
- With magnet
- Visible or invisible

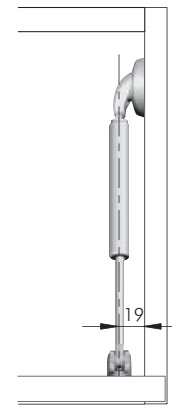
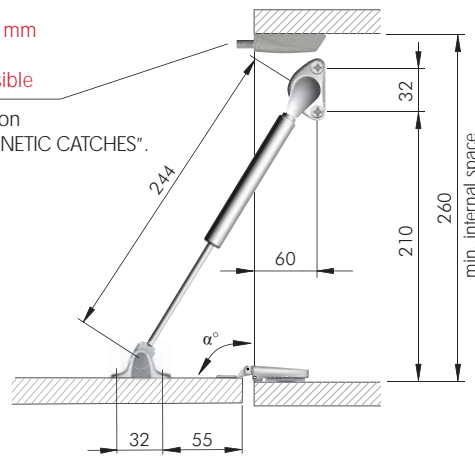
For details refer to section "PUSH CATCHES & MAGNETIC CATCHES".



L 244 mm

K Push Tech 14 mm
- With magnet
- Visible or invisible

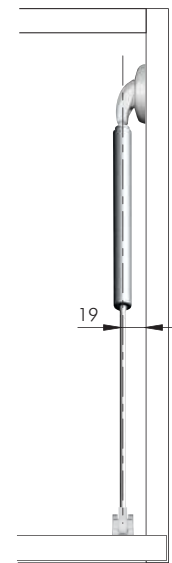
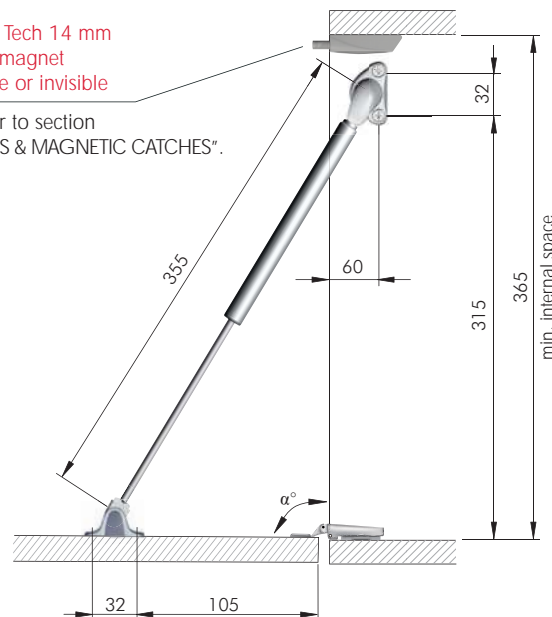
For details refer to section "PUSH CATCHES & MAGNETIC CATCHES".



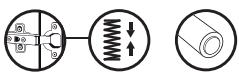
L 355 mm

K Push Tech 14 mm
- With magnet
- Visible or invisible

For details refer to section "PUSH CATCHES & MAGNETIC CATCHES".



The dimensions of the drilling plan refer to carcasses which use **standard unsprung hinges** and mounting plates 0 mm. Please note that the α° opening angle shown data is purely indicative. It varies with respect to the hinge brand and adjustment carried out.



Please note that utilization with **standard sprung hinges** and **K Push Tech with buffer** is also possible. In such case, after the door is initially released by K Push Tech, a manual opening approx. 7cm is required (in order to win the spring resistance). Consequently, the door will automatically open to the fullest. For details refer to section "PUSH CATCHES & MAGNETIC CATCHES".



DROP DOWN DRILLING PLANS WITH FLAP HINGE

COMPACT CONFIGURATOR:



L 164 mm

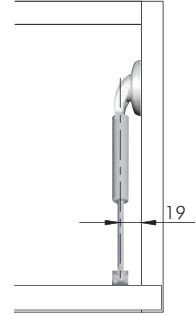
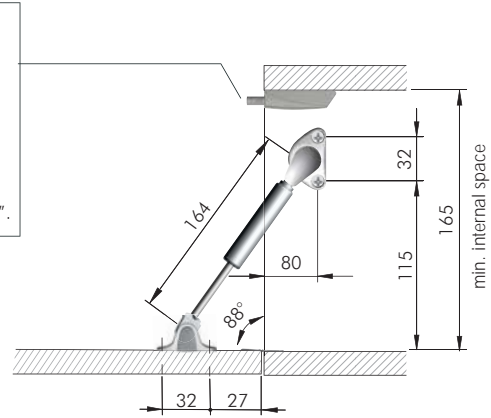


Magnet K Lock
visible or invisible



K Push Tech 20 mm
- With magnet
- Visible or invisible

For details refer to section
"PUSH CATCHES & MAGNETIC CATCHES".



L 244 mm

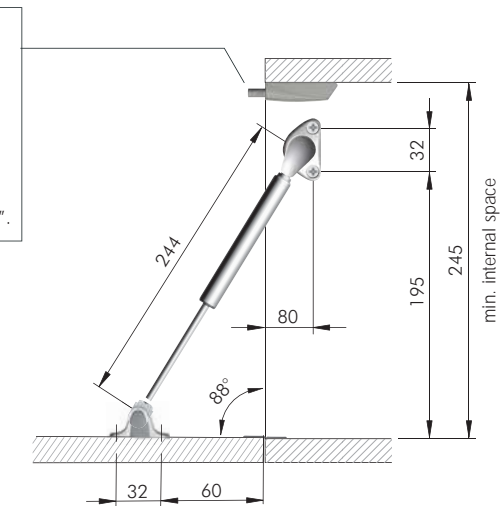


Magnet K Lock
visible or invisible



K Push Tech 20 mm
- With magnet
- Visible or invisible

For details refer to section
"PUSH CATCHES & MAGNETIC CATCHES".



L 355 mm

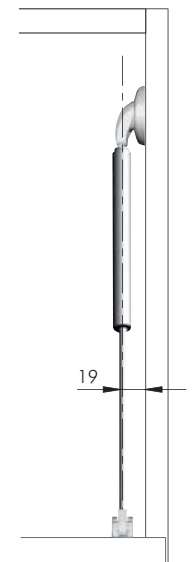
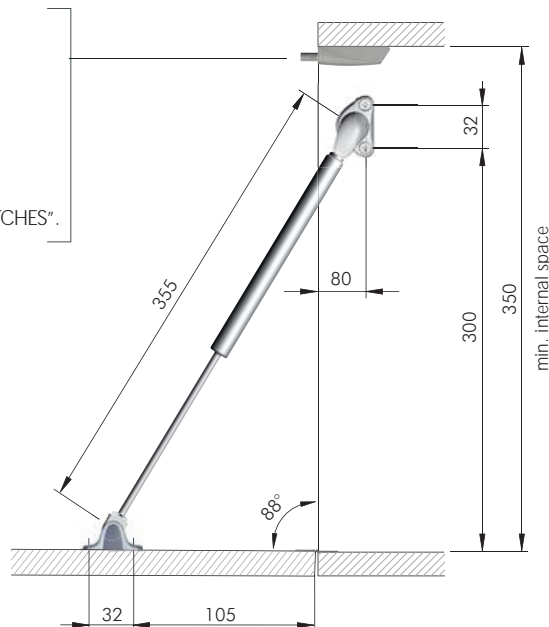


Magnet K Lock
visible or invisible

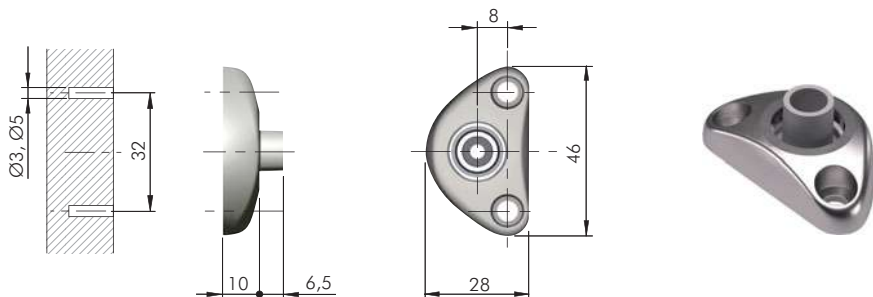


K Push Tech 20 mm
- With magnet
- Visible or invisible

For details refer to section
"PUSH CATCHES & MAGNETIC CATCHES".



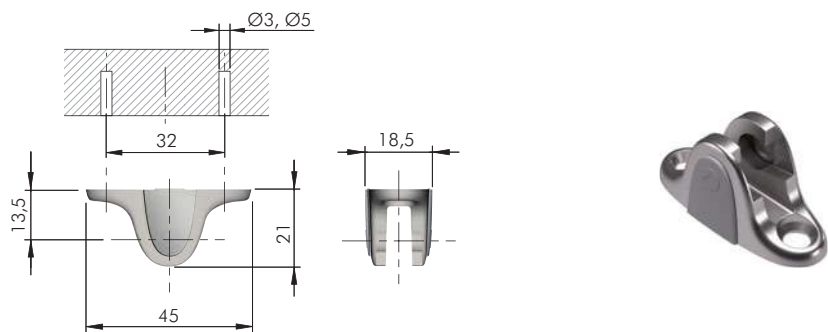
COMPACT BRACKETS



= Ø 3, Ø 5 mm
 ZA EP = 100 pcs.



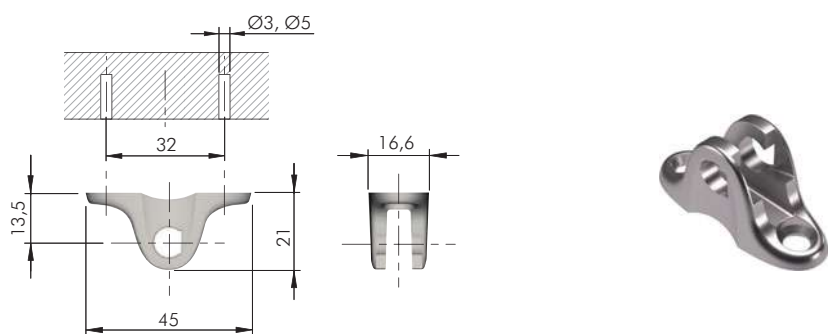
42911010YA



= Ø 3, Ø 5 mm
 ZA = 100 pcs.



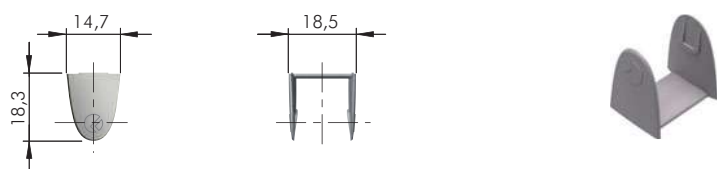
4291802000



= Ø 3, Ø 5 mm
 ZA = 100 pcs.



42918010YC



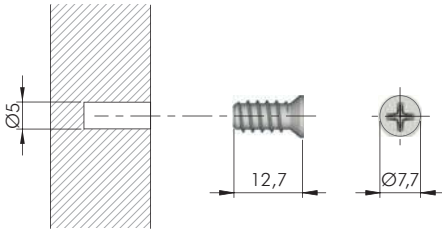
EPg = 100 pcs.



4291901000

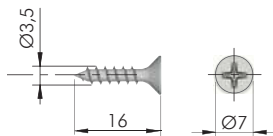


COMPACT FIXING ACCESSORIES



= Ø 5 mm +
 = PZ2
 = 5000 pcs.

123
60501050YA



= Ø 2,5 mm +
 = PZ2
 = 10.000 pcs.

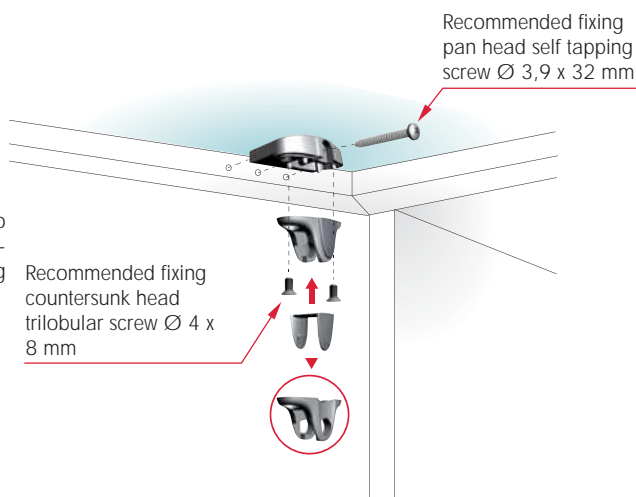
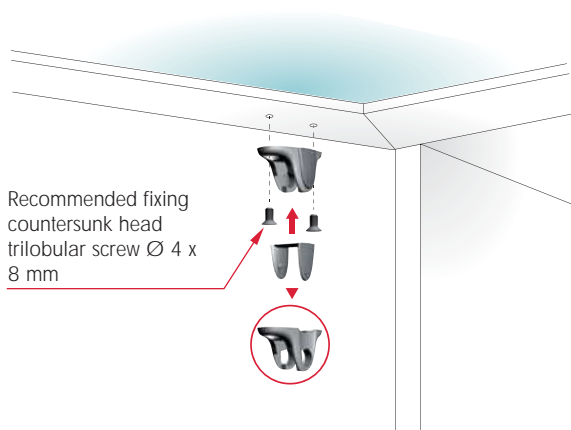
123
60101390YA

COMPACT ADAPTERS FOR ALUMINIUM FRAME DOOR



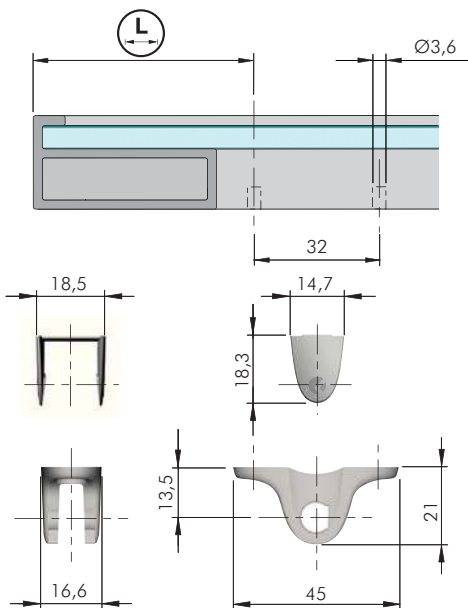
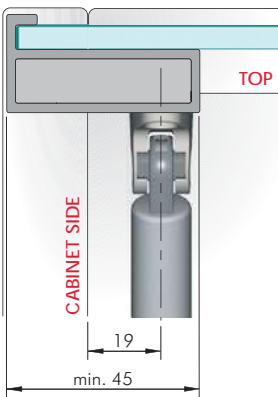
INSTALLATION ON WIDER ALUMINIUM FRAME DOOR

INSTALLATION ON NARROW ALUMINIUM FRAME DOOR



WIDER ALUMINIUM FRAME DOOR

Condition A



	= Ø 3,6 mm		= 100 pcs.
ZA	EP		
42918010YC			
4291901000			

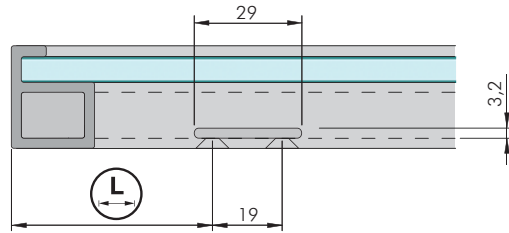
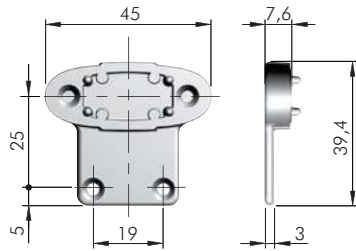
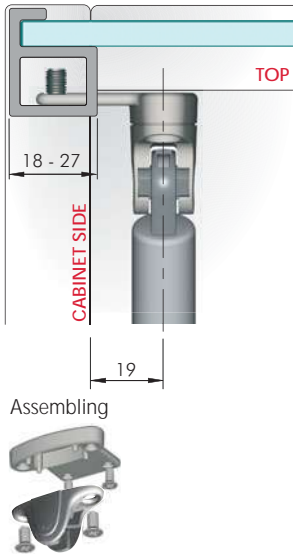
Assembling





NARROW ALUMINIUM FRAME DOOR

Condition B



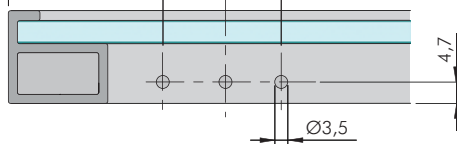
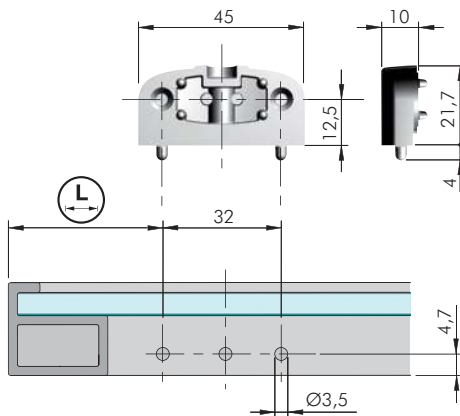
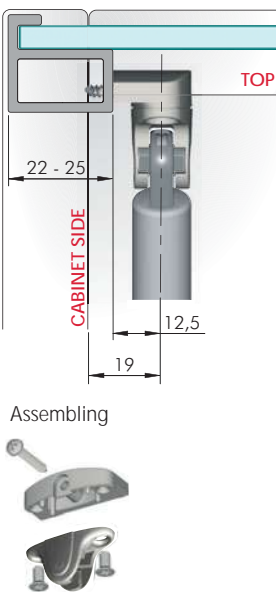
ZA = 100 pcs.

42903010YC

42918010YC

4291901000

Condition C



= Ø 3,5 mm

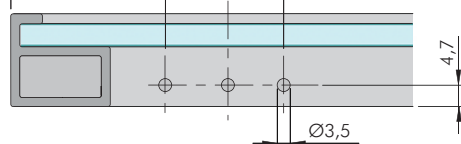
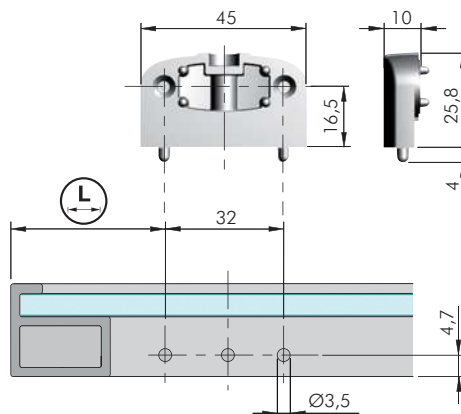
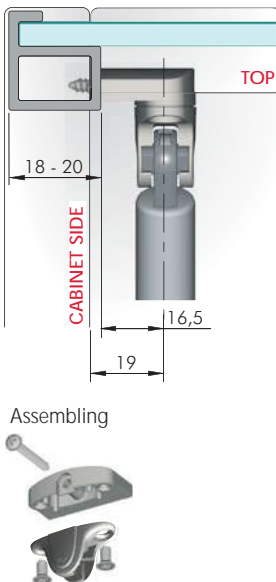
ZA = 100 pcs.

42904010YC

42918010YC

4291901000

Condition D



= Ø 3,5 mm

ZA = 100 pcs.

42905010YC

42918010YC

4291901000