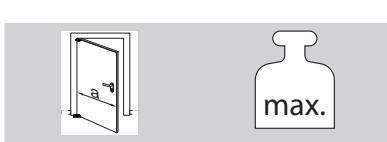


TS 550 NV  
 TS 550 NV F  
 TS 550 NV F-P



125144-10



TS 550 NV / TS 550 NV F / TS 550 NV F-P

$a \leq 1400 \text{ mm}$

$\leq 300 \text{ kg}$

TS 550 NV F

TS 550 NV F-P

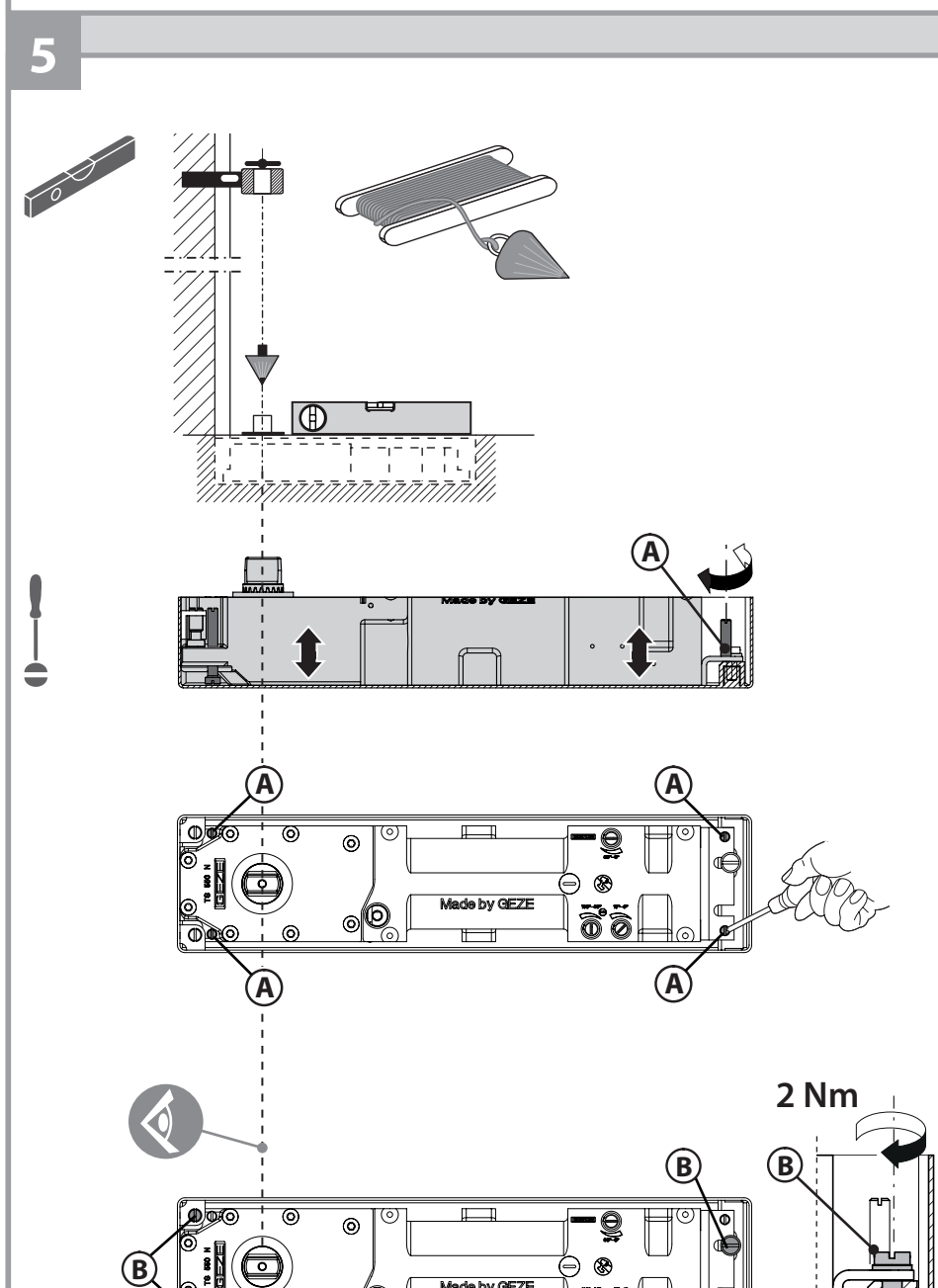
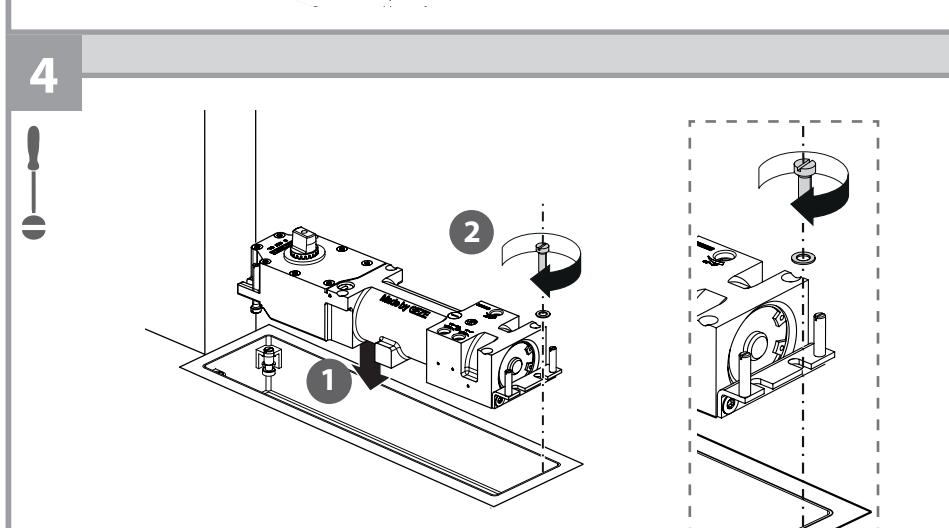
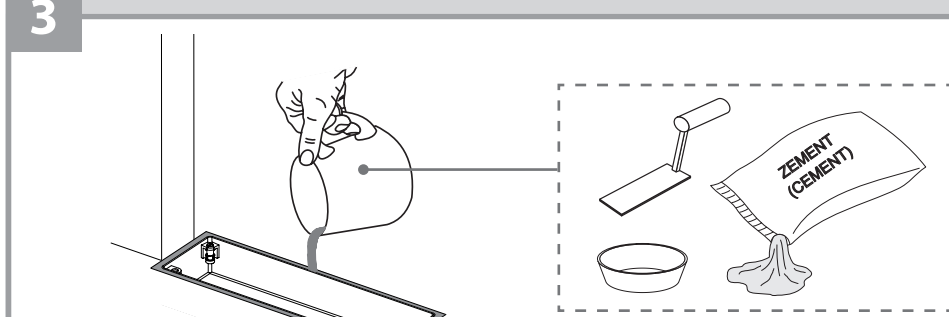
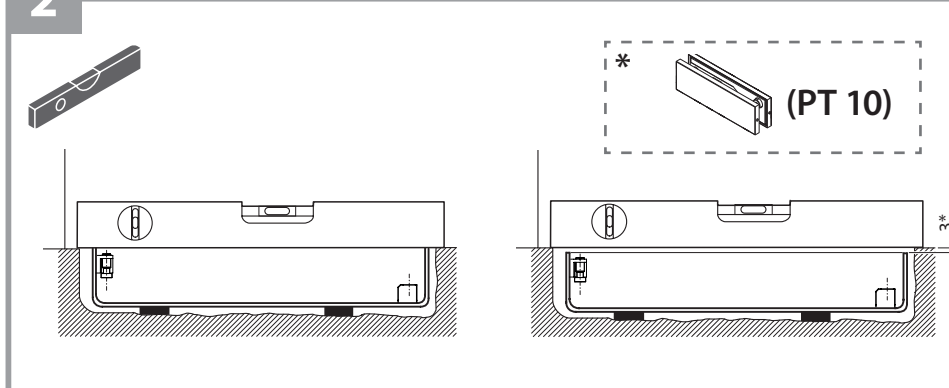
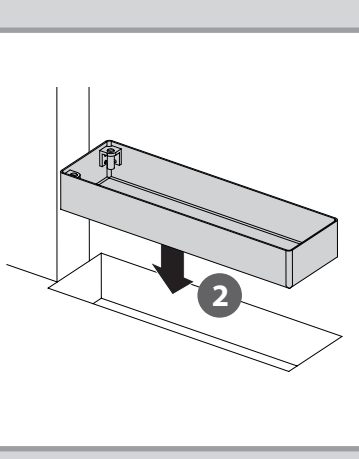
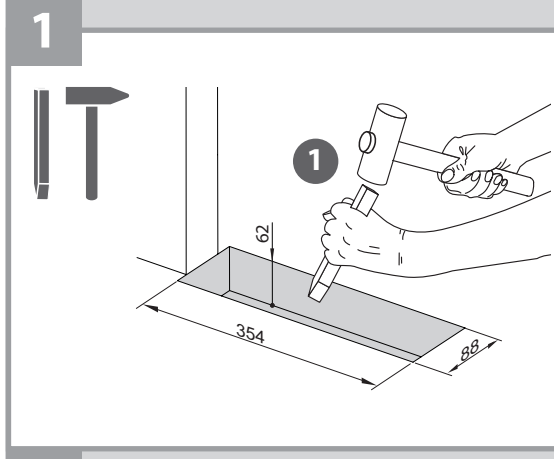
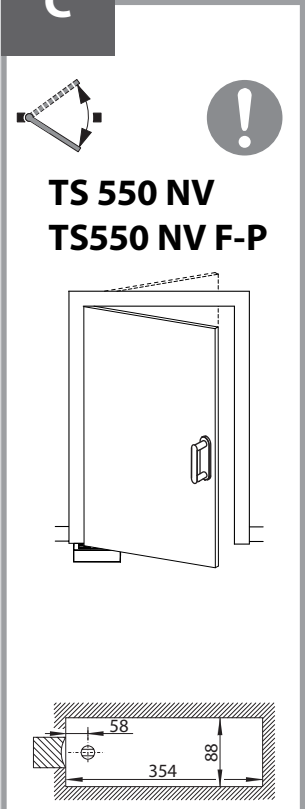
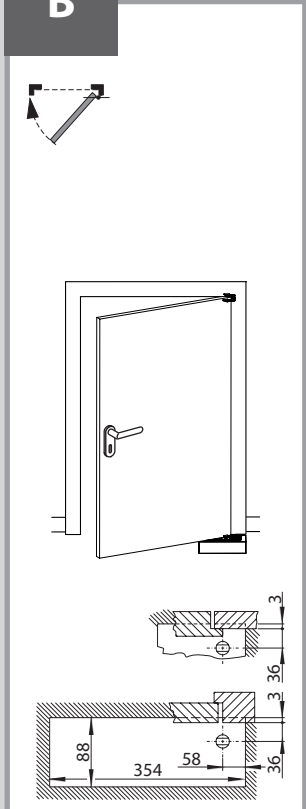
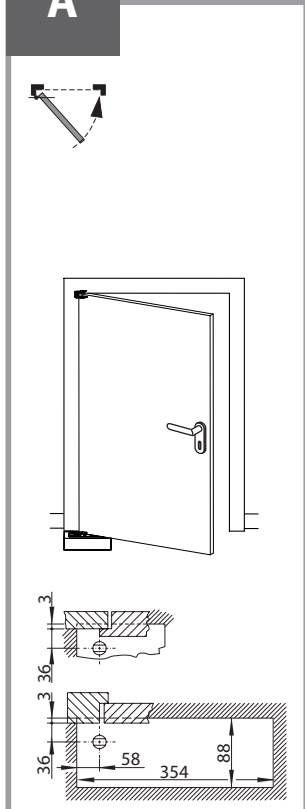
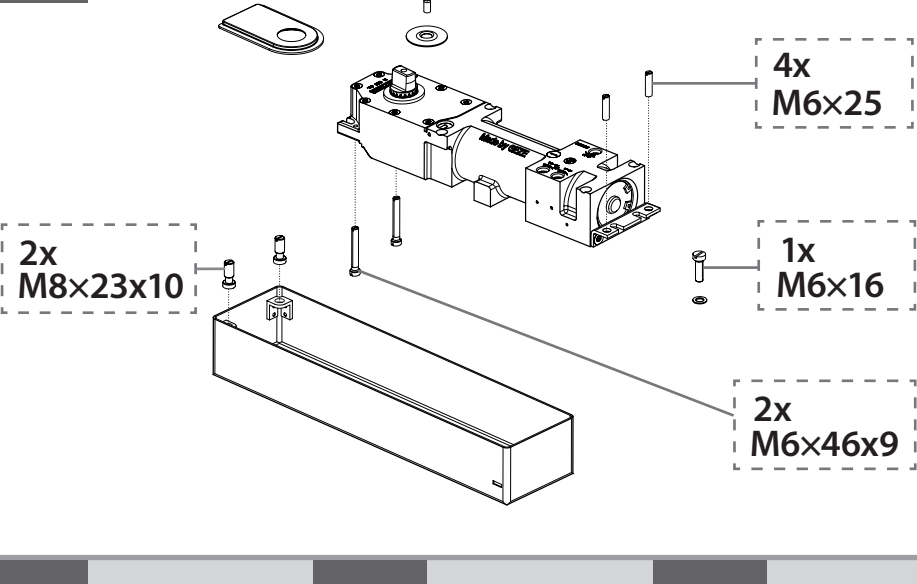
EN 1154:1996 + A1:2002	4	8	6	3	1	1	4
---------------------------	---	---	---	---	---	---	---

EN 1154:1996 + A1:2002/AC:2006	3	8	6	3	1	1	4
-----------------------------------	---	---	---	---	---	---	---

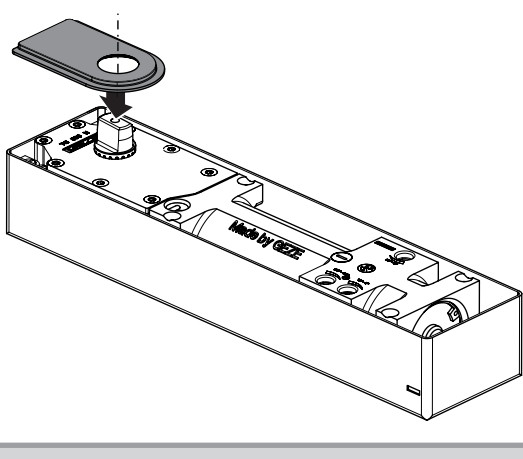


TS 550 NV

EN 1154:1996 + A1:2002	3	8	6	3	0	1	4
---------------------------	---	---	---	---	---	---	---



6



7

