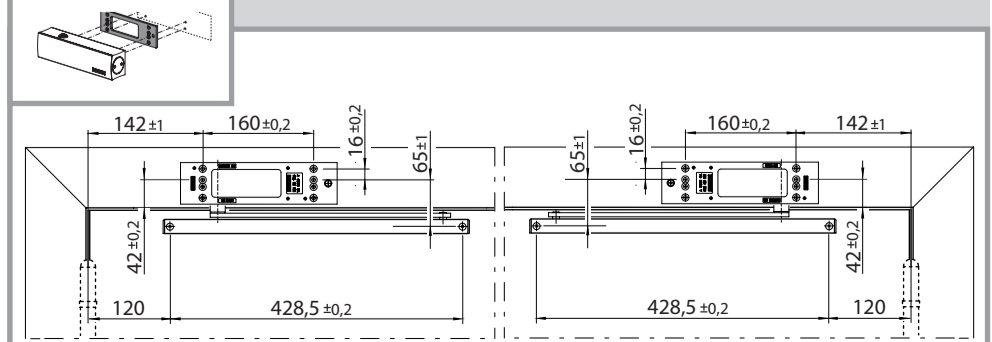
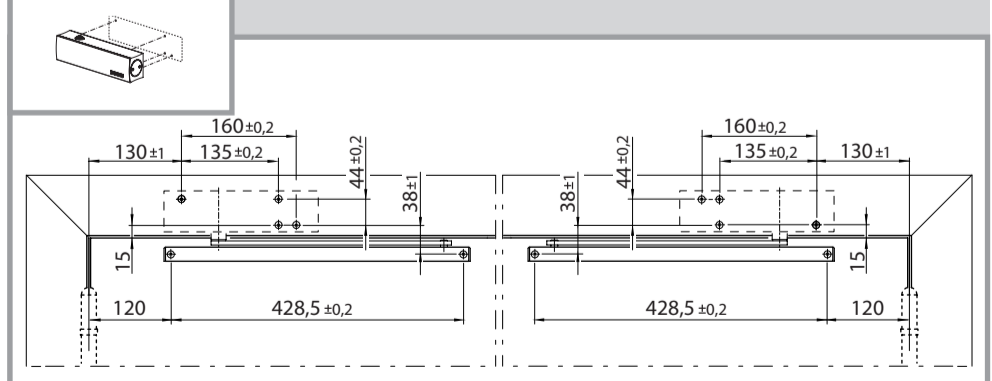
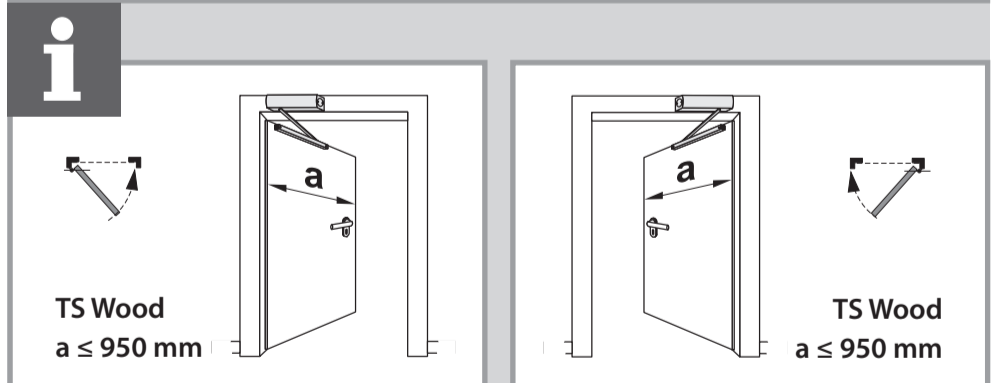
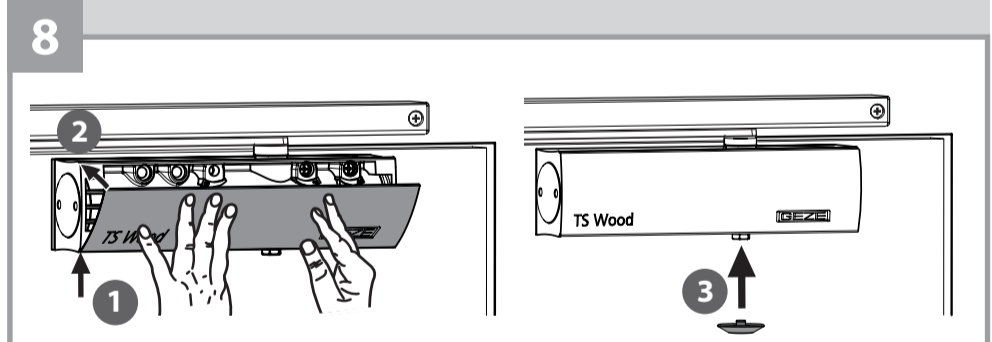
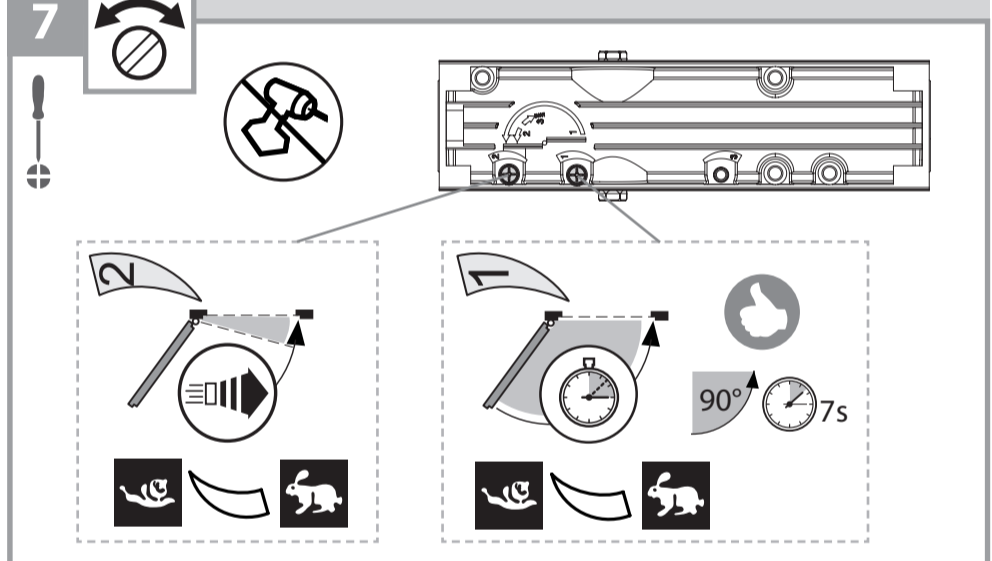
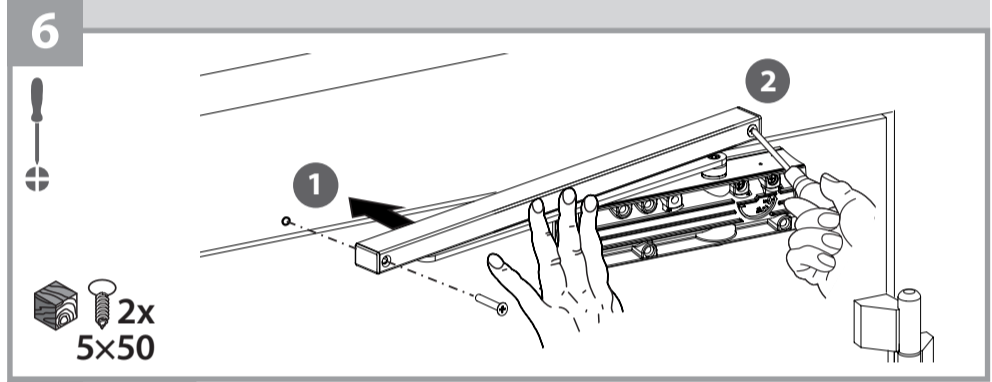
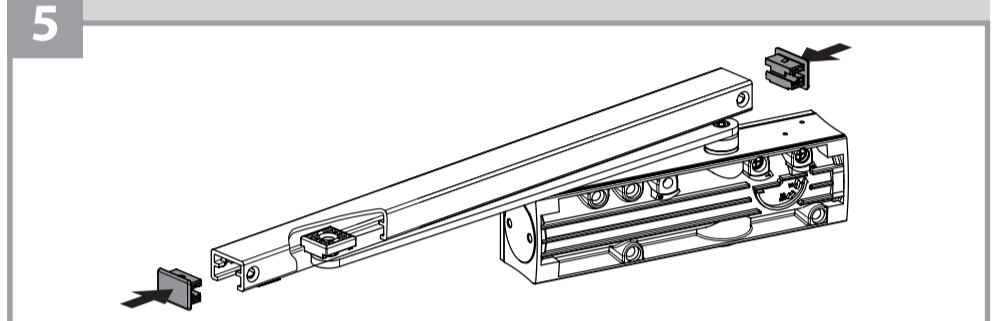
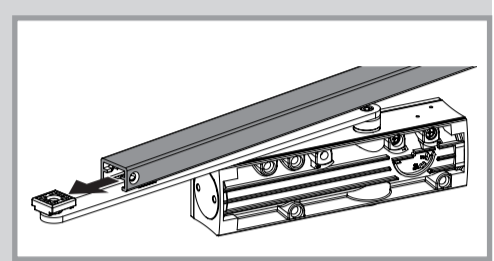
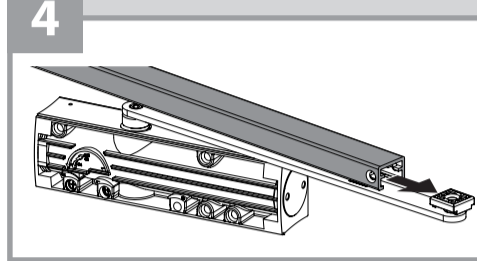
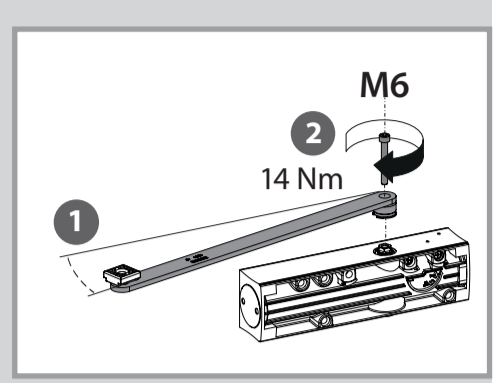
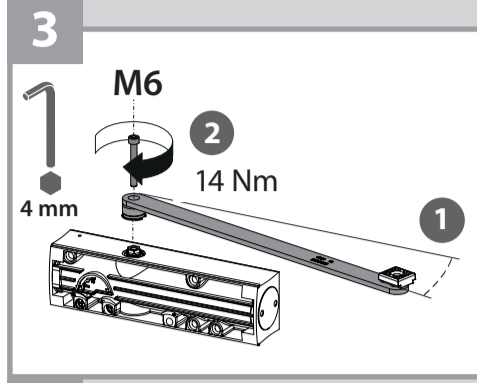
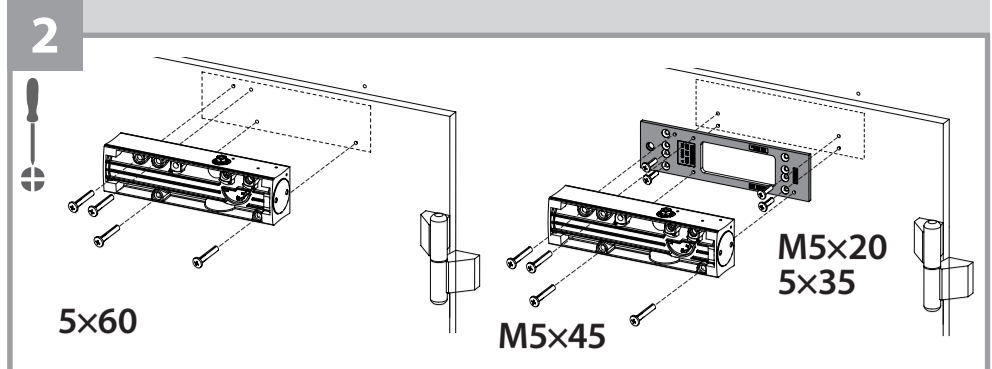
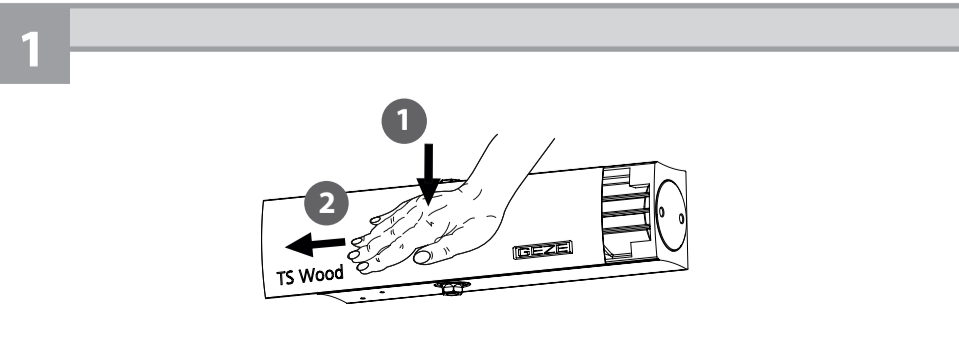
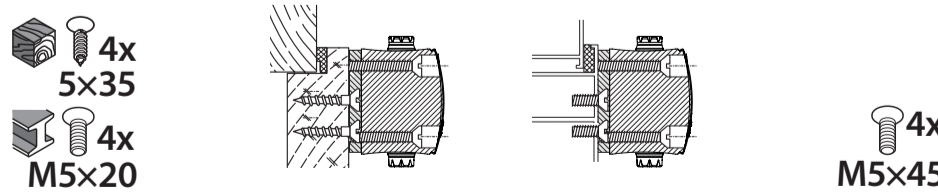
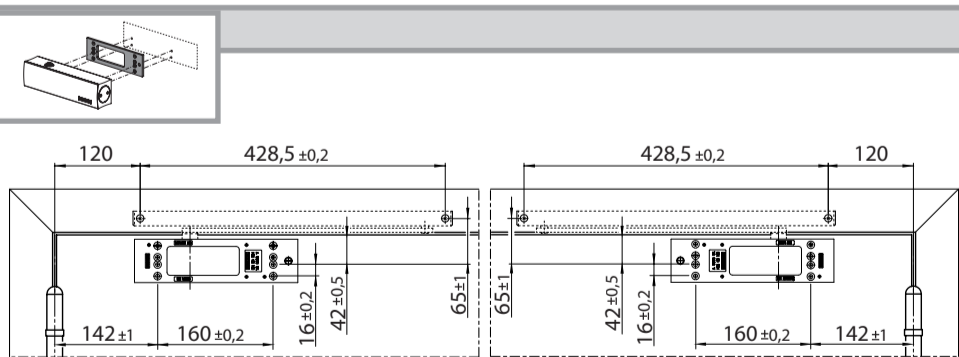
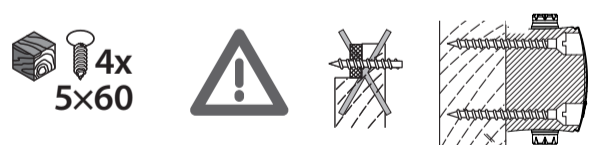
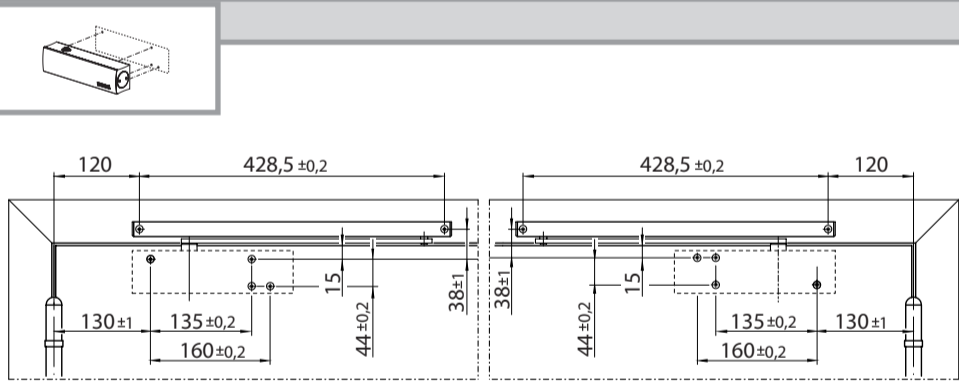
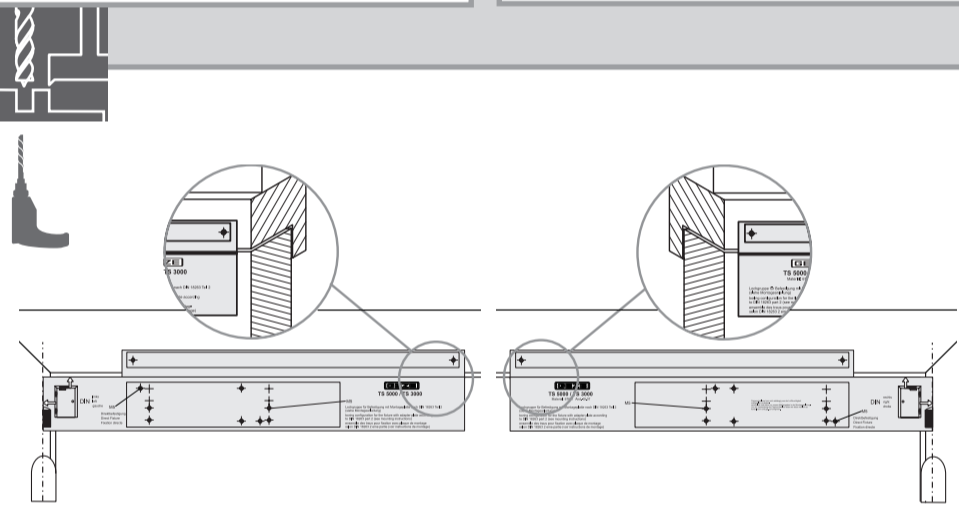
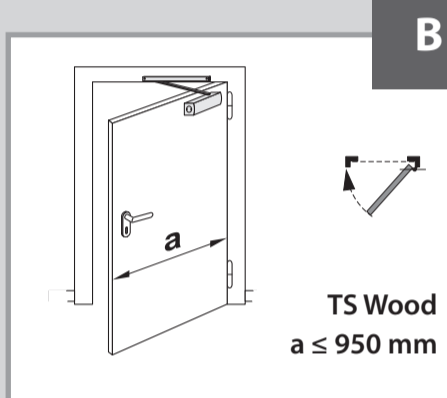


TS Wood



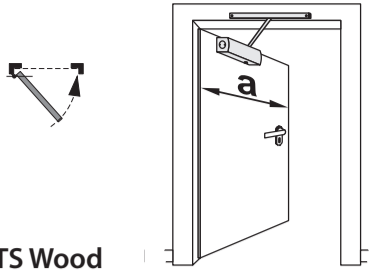
118435-04

GEZE

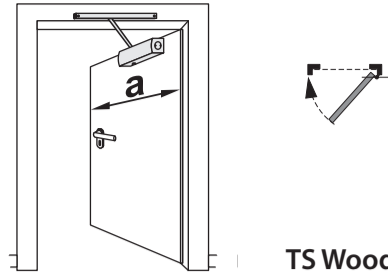


**A**

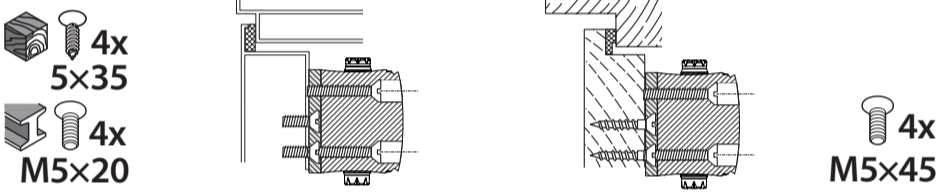
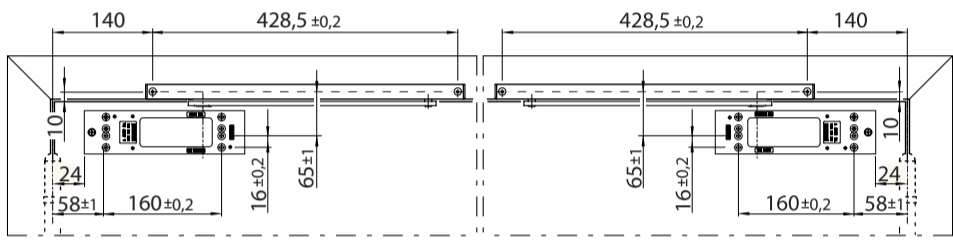
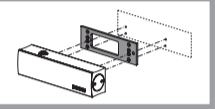
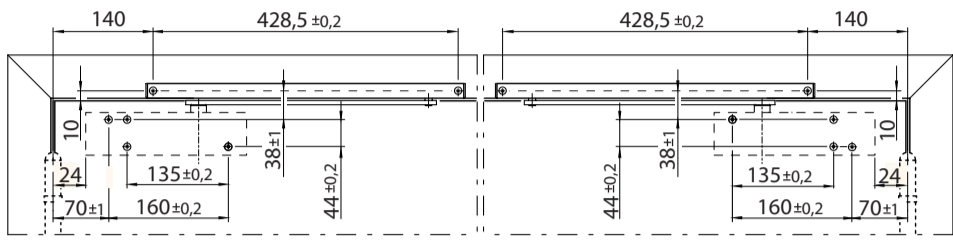
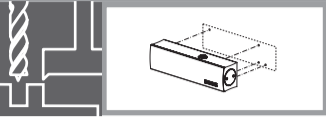
**B**



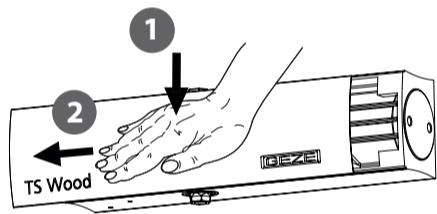
TS Wood  
a ≤ 950 mm



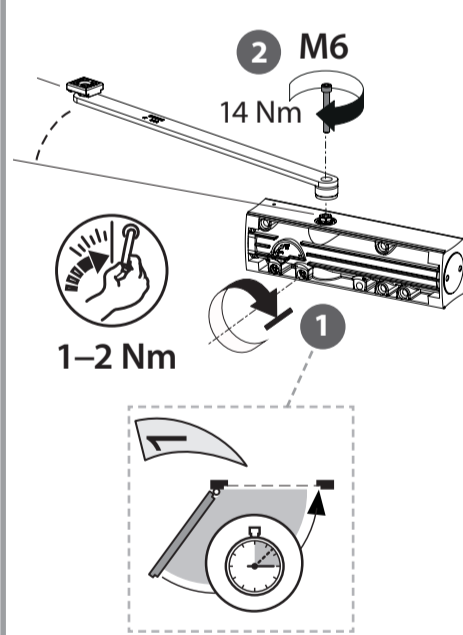
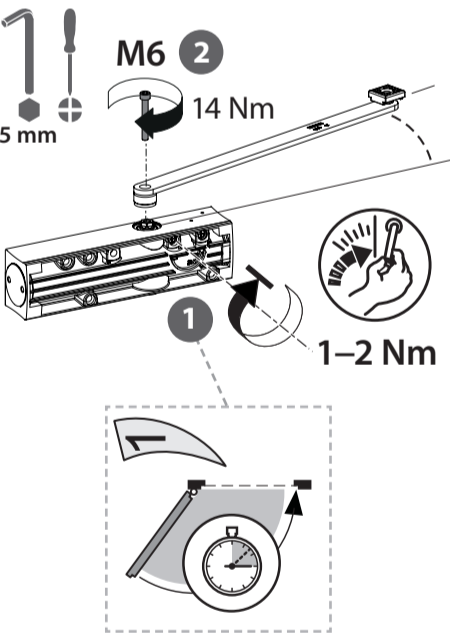
TS Wood  
a ≤ 950 mm



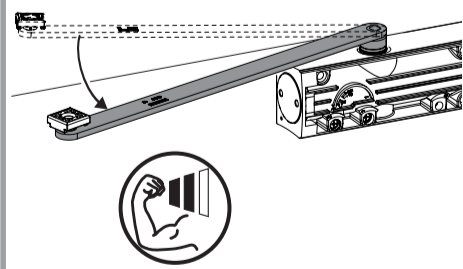
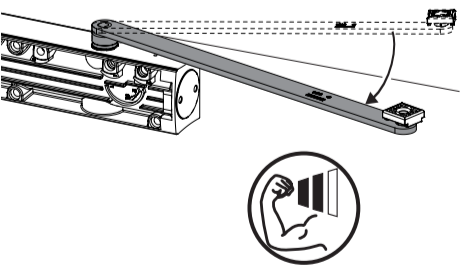
**1**



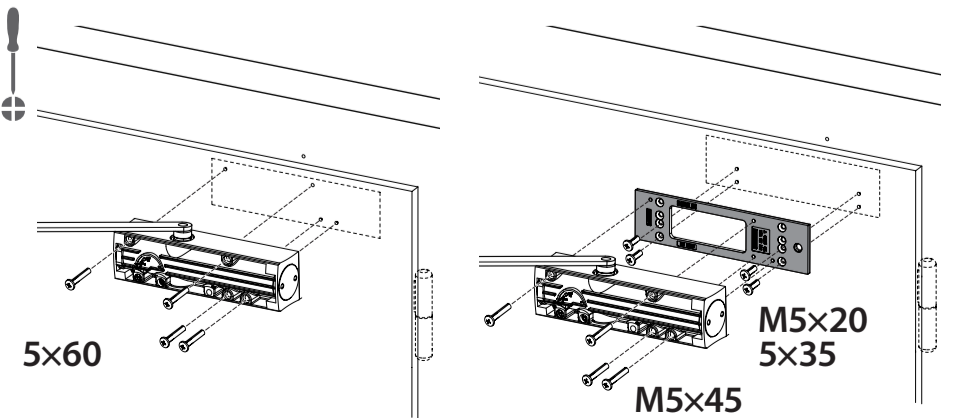
**2**



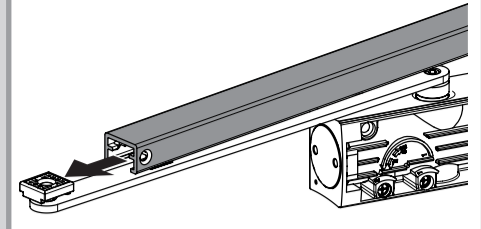
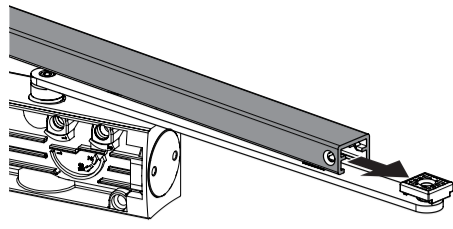
**3**



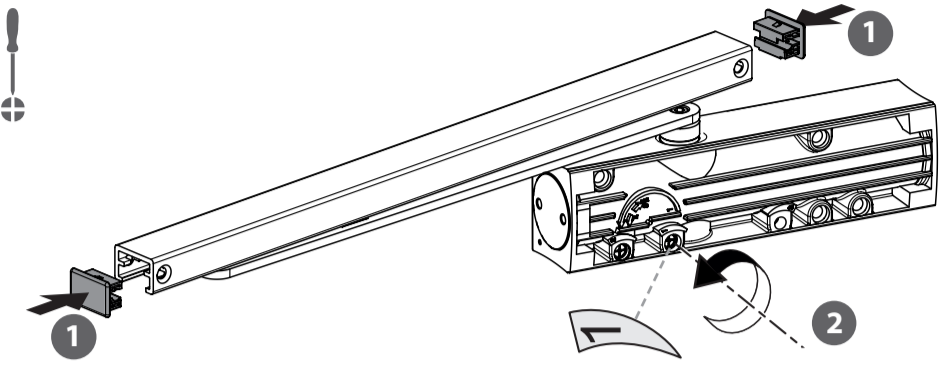
**4**



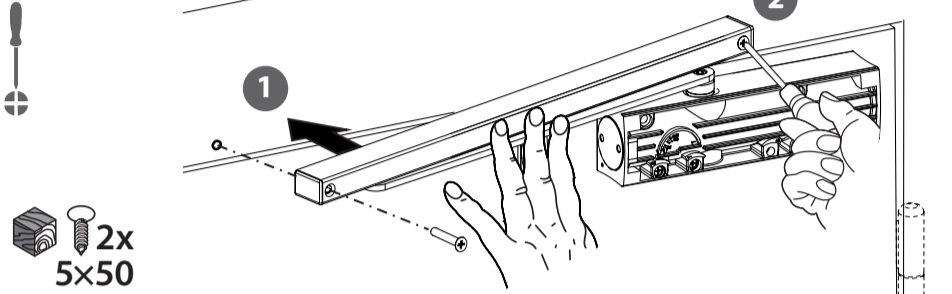
**5**



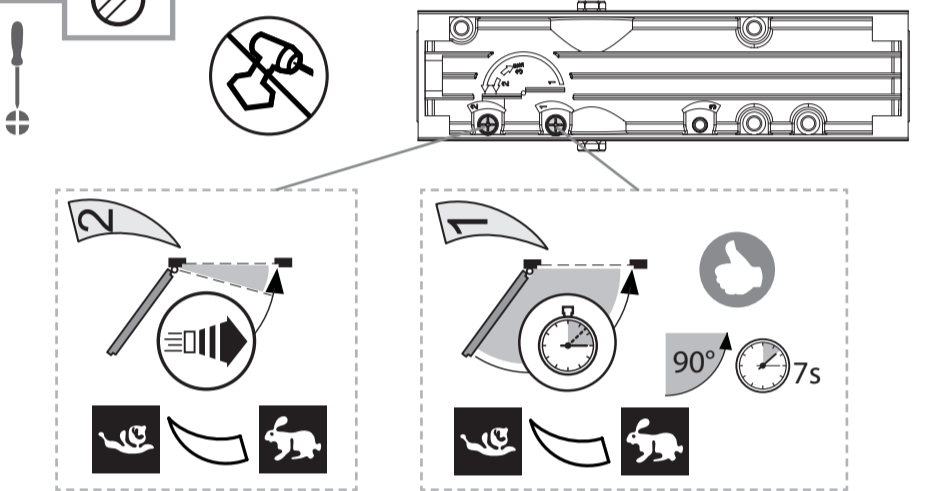
**6**



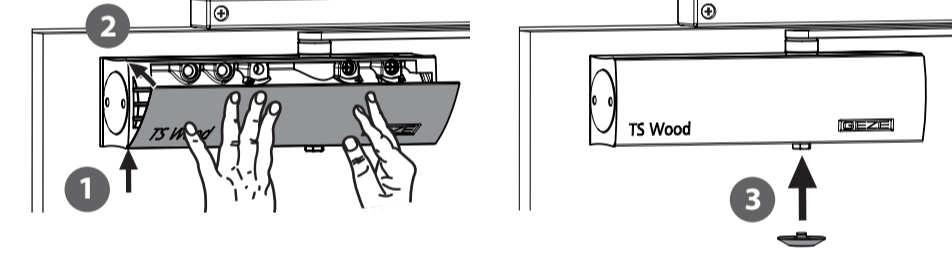
**7**



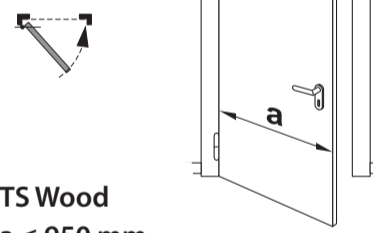
**8**



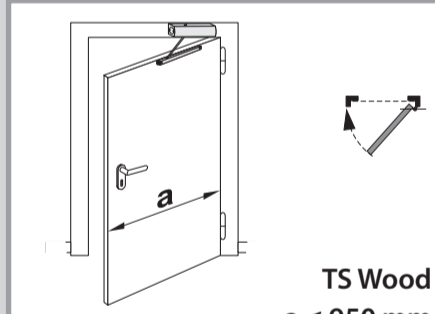
**9**



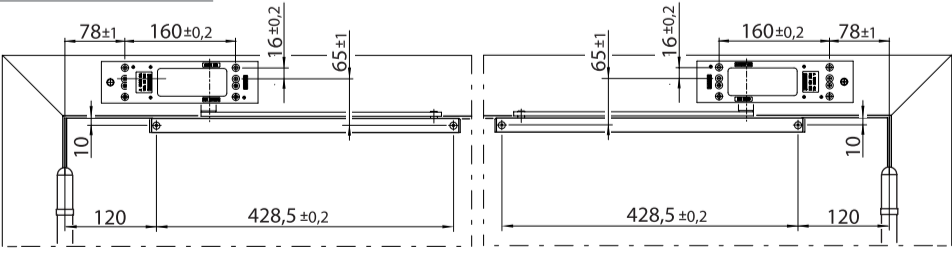
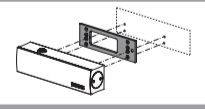
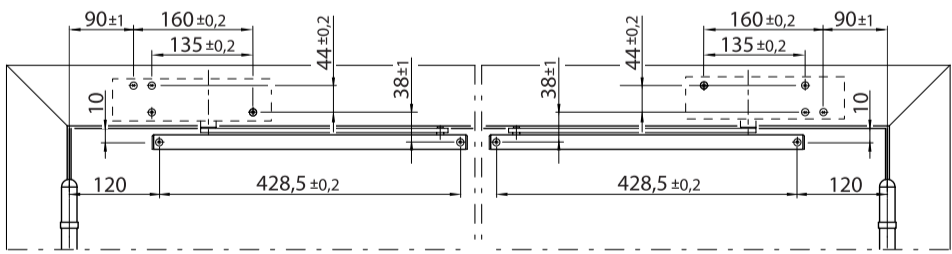
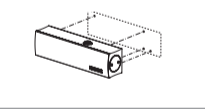
**i**



TS Wood  
a ≤ 950 mm



TS Wood  
a ≤ 950 mm



**i**

<b>CE</b>	GEZE GmbH P.O. Box 1363 71226 Leonberg	06
0672-CPD-0059	EN 1154	3 8 3 1 1 3
Substanz: -----		
Made in Germany		

<b>CE</b>	GEZE GmbH P.O. Box 1363 71226 Leonberg	15
0672-CPR-0446	EN 1154	3 8 3 1 1 3
Substanz: -----		
Engineered in Germany. Made by GEZE, PRC.		